



US008418705B2

(12) **United States Patent**
Ota et al.

(10) **Patent No.:** **US 8,418,705 B2**
(45) **Date of Patent:** **Apr. 16, 2013**

(54) **ROBOTIC CANE DEVICES**

(56) **References Cited**

(75) Inventors: **Yasuhiro Ota**, Union, KY (US);
Masaru Ryumae, Union, KY (US);
Keiichi Sato, Chicago, IL (US); **Shin Sano**, Oak Park, IL (US)

U.S. PATENT DOCUMENTS

2,707,963	A	9/1954	Goynes	
4,706,072	A *	11/1987	Ikeyama	340/576
4,958,651	A	9/1990	Najm	
5,097,856	A	3/1992	Chi-Sheng	
5,490,825	A *	2/1996	Wilkinson	482/74
5,653,468	A	8/1997	Ostapyk	

(73) Assignees: **Toyota Motor Engineering & Manufacturing North America, Inc.**, Erlanger, KY (US); **Illinois Institute of Technology**, Chicago, IL (US)

(Continued)

FOREIGN PATENT DOCUMENTS

JP 2008056037 A 3/2008

OTHER PUBLICATIONS

Corley, "Riding Honda's U3-X unicycle of the Future", IEEE Spectrum, Apr. 12, 2010.*

(*) Notice: Subject to any disclaimer, the term of this patent is extended or adjusted under 35 U.S.C. 154(b) by 279 days.

(Continued)

(21) Appl. No.: **12/847,410**

Primary Examiner — Ronnie Mancho

Assistant Examiner — Abby Lin

(22) Filed: **Jul. 30, 2010**

(74) *Attorney, Agent, or Firm* — Dinsmore & Shohl LLP

(65) **Prior Publication Data**

US 2012/0029696 A1 Feb. 2, 2012

(57) **ABSTRACT**

- (51) **Int. Cl.**
- A61H 3/02** (2006.01)
 - A45B 1/02** (2006.01)
 - G05B 11/32** (2006.01)
 - G05B 11/01** (2006.01)
 - G05B 15/00** (2006.01)
 - G05B 19/00** (2006.01)

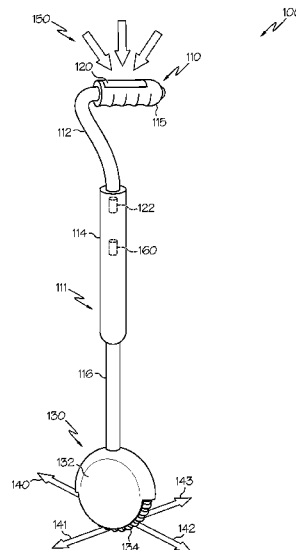
A robotic cane may include a grip handle, a cane body extending from the grip handle at a first end, a motorized omni-directional wheel coupled to a second end of the cane body, a balance control sensor, and a controller module. The balance control sensor provides a balance signal corresponding to an orientation of the robotic cane. The controller module may receive the balance signal from the balance control sensor and calculate a balancing velocity of the motorized omni-directional wheel based at least in part on the balance signal and an inverted pendulum control algorithm. The controller module may further provide a drive signal to the motorized omni-directional wheel in accordance with the calculated balancing velocity. The calculated balancing velocity is a speed and direction of the motorized omni-directional wheel to retain the robotic cane in an substantially upright position.

(52) **U.S. Cl.**
USPC **135/71; 135/72; 135/73; 135/85; 700/67; 700/71; 700/258**

(58) **Field of Classification Search** 135/65-68, 135/71-73, 77, 85; 213/90; 318/568.1, 568.25; 700/12-14, 28, 33, 46, 50, 56, 60-64, 67, 700/69-79, 173, 193, 245, 250, 258-261; 706/45-61; 901/1, 33

See application file for complete search history.

19 Claims, 7 Drawing Sheets



U.S. PATENT DOCUMENTS

5,687,136 A 11/1997 Borenstein
 5,823,845 A 10/1998 O'Berrigan
 5,938,240 A 8/1999 Gairdner
 5,973,618 A 10/1999 Ellis
 6,668,846 B2 12/2003 Meador
 6,708,705 B2 3/2004 Nasco, Sr.
 7,140,631 B2* 11/2006 Ridley 280/301
 7,370,713 B1 5/2008 Kamen
 2001/0032743 A1 10/2001 Kamen et al.
 2006/0070646 A1 4/2006 Denman
 2006/0162754 A1 7/2006 Karasin et al.
 2007/0158117 A1* 7/2007 Alexander 180/21
 2008/0105481 A1* 5/2008 Hutcheson et al. 180/209
 2008/0164083 A1* 7/2008 Miki et al. 180/165
 2008/0295595 A1* 12/2008 Tacklind et al. 73/462
 2009/0045021 A1* 2/2009 Einbinder 188/2 D
 2011/0190935 A1* 8/2011 Hutcheson et al. 700/258
 2011/0191013 A1* 8/2011 Leeser 701/124

2011/0212790 A1* 9/2011 Webb 473/202
 2011/0282529 A1* 11/2011 Song et al. 701/22
 2012/0016520 A1* 1/2012 Hutcheson et al. 700/258
 2012/0024890 A1* 2/2012 Ota et al. 222/52

OTHER PUBLICATIONS

Gizmag, "Honda's self-balancing U3-X on Show", Gizmag Apr. 6, 2010.*
 Ooi, "Balancing a Two-Wheeled Autonomous Robot", Final Year Thesis 2003, University of Western Australia School of Mechanical Engineering.*
 Mars Lan et al, "SmartFall: An Automatic Fall Detection System Based on Subsequency Matching fo rthe Smart Cane", BodyNets '09 los Angeles, California USA.*
 Honda News Release Sep. 24, 2009 (<http://world.honda.com/news/2009/c090924New-Personal-Mobility-Device/>).

* cited by examiner

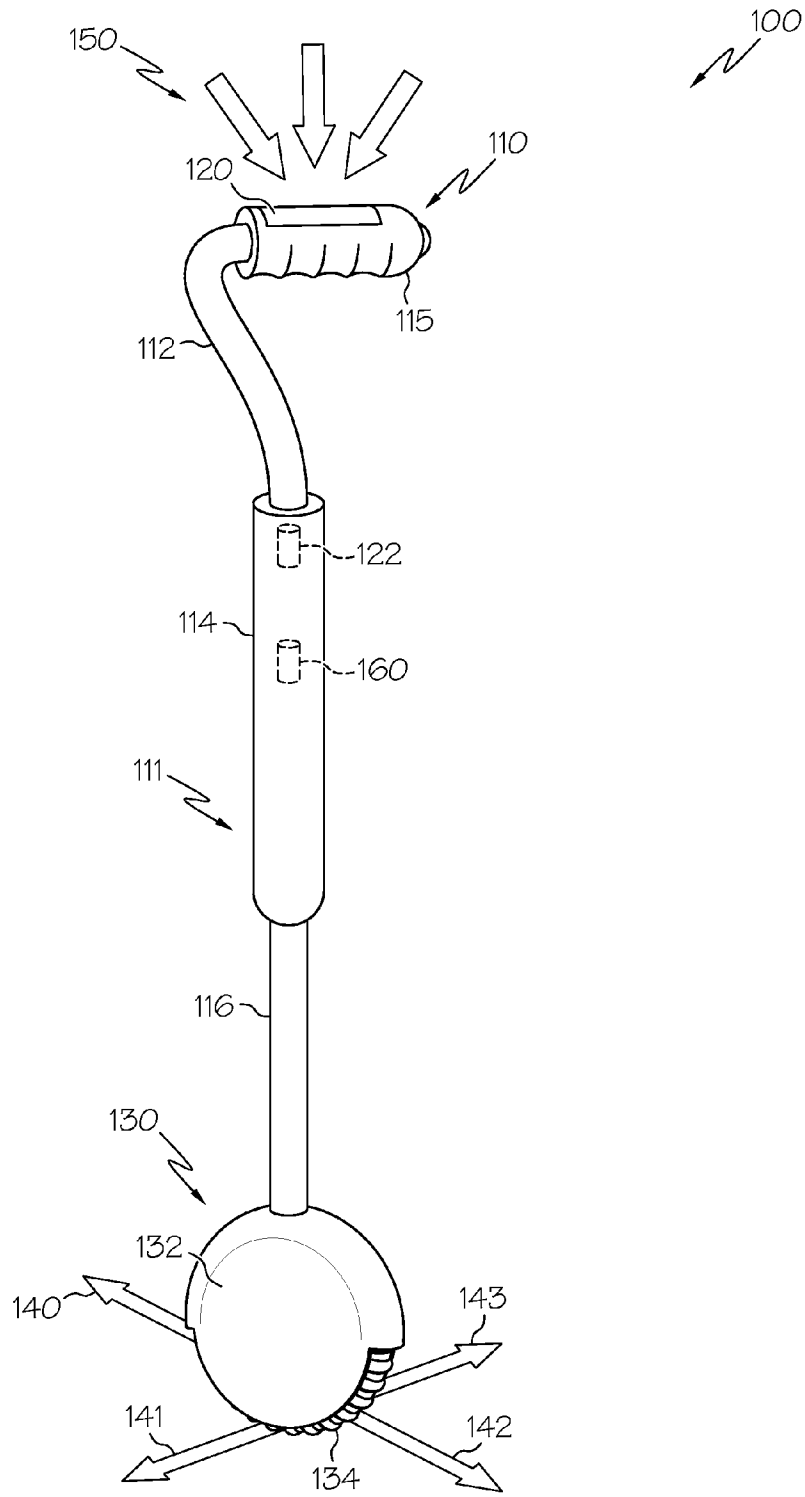


FIG. 1

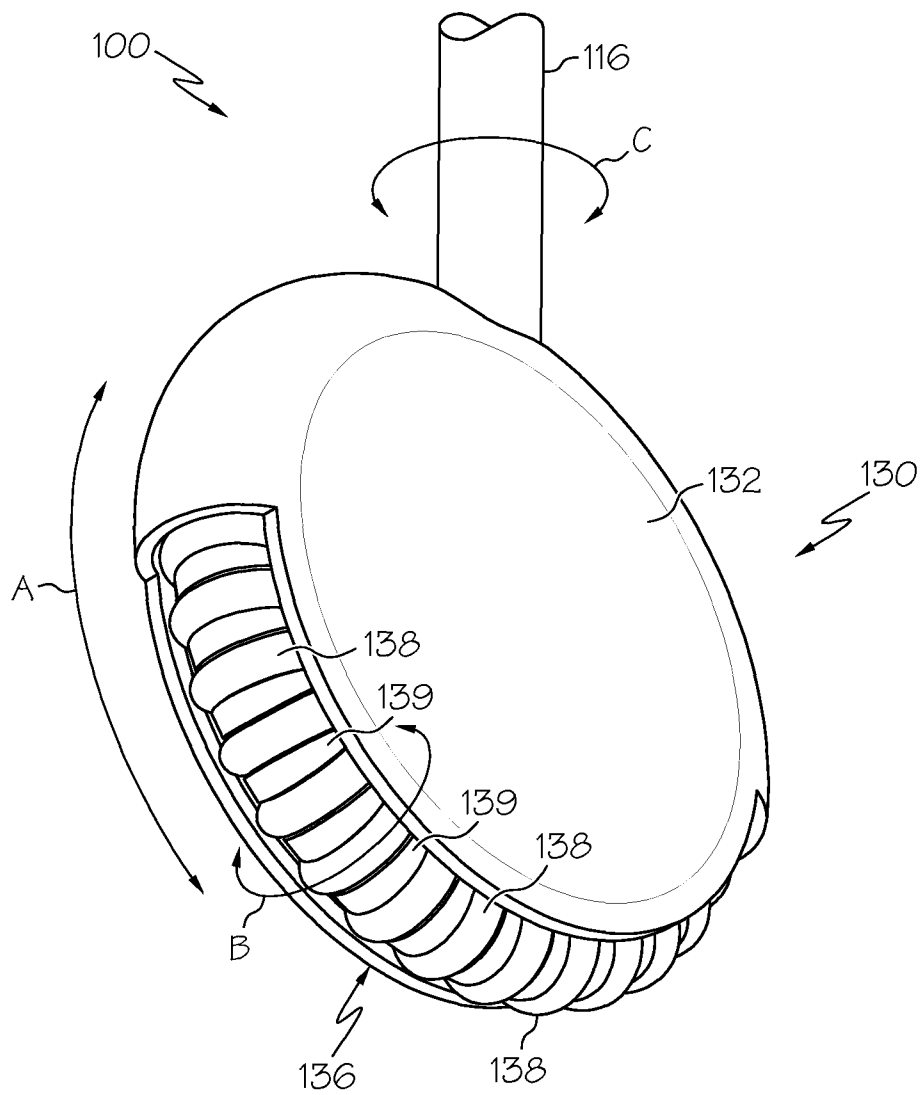


FIG. 2

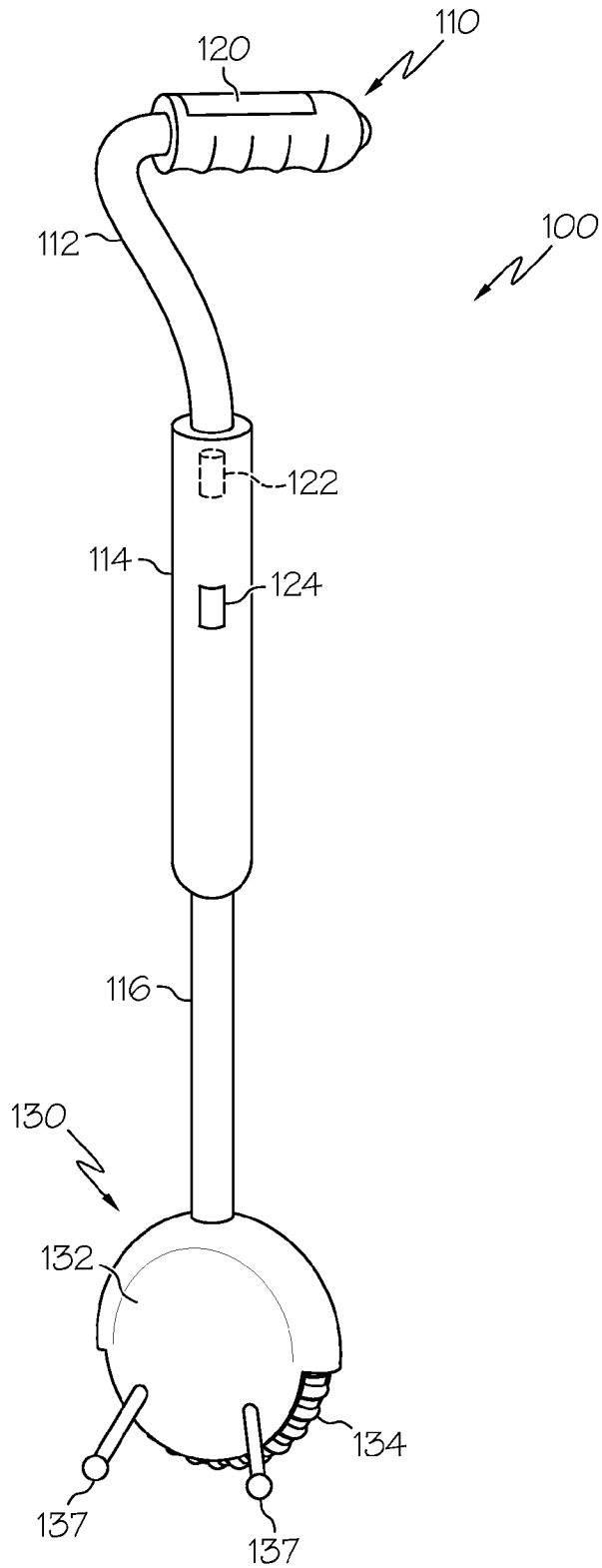


FIG. 3

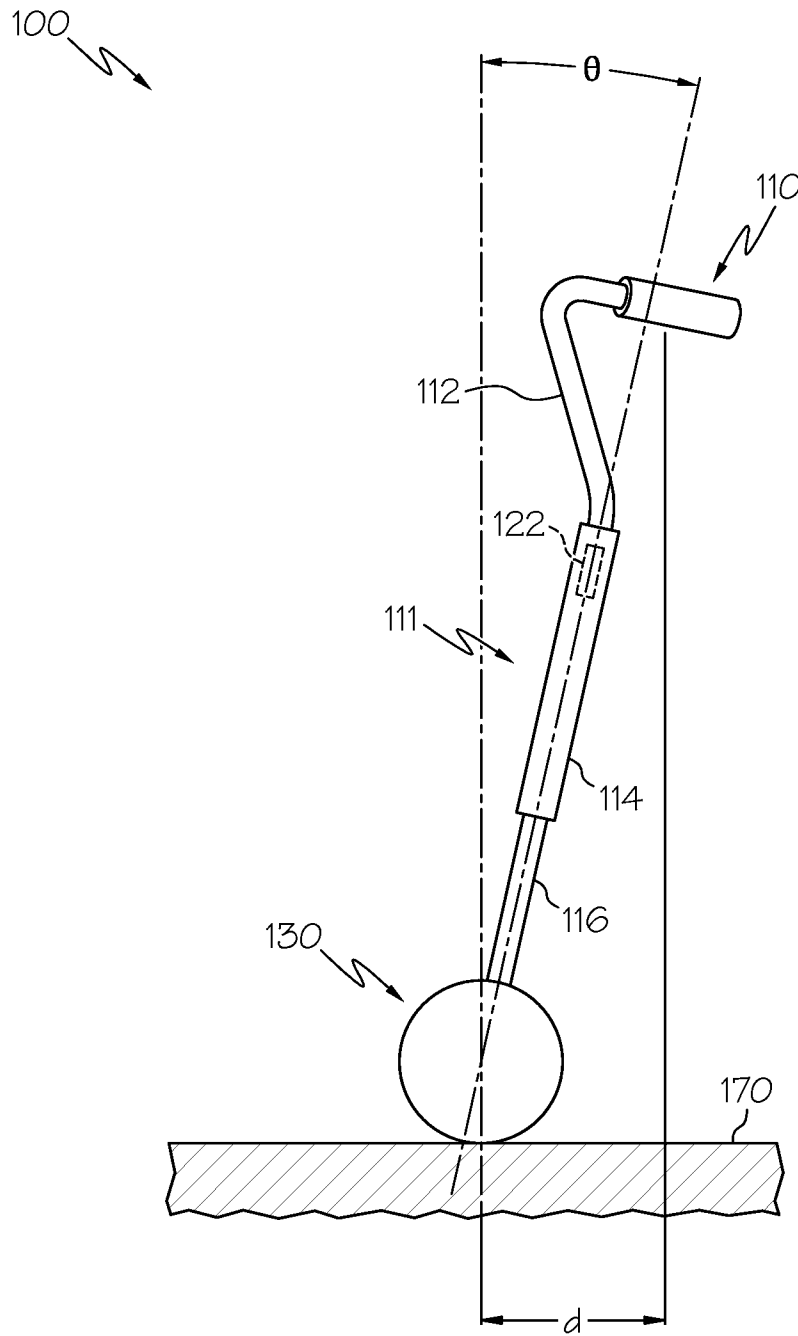


FIG. 4

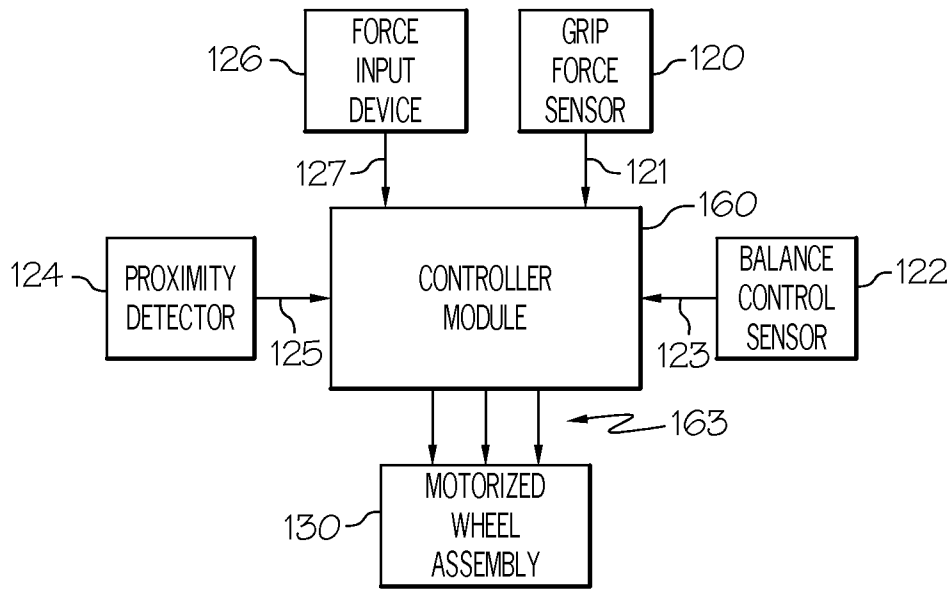


FIG. 5

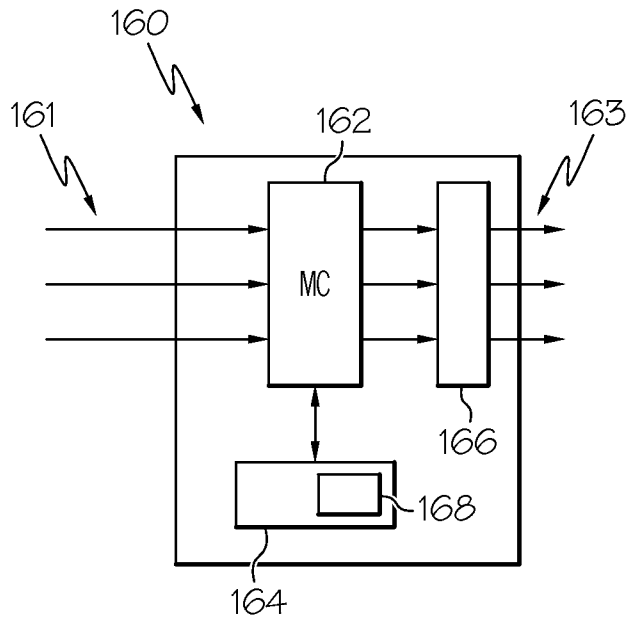
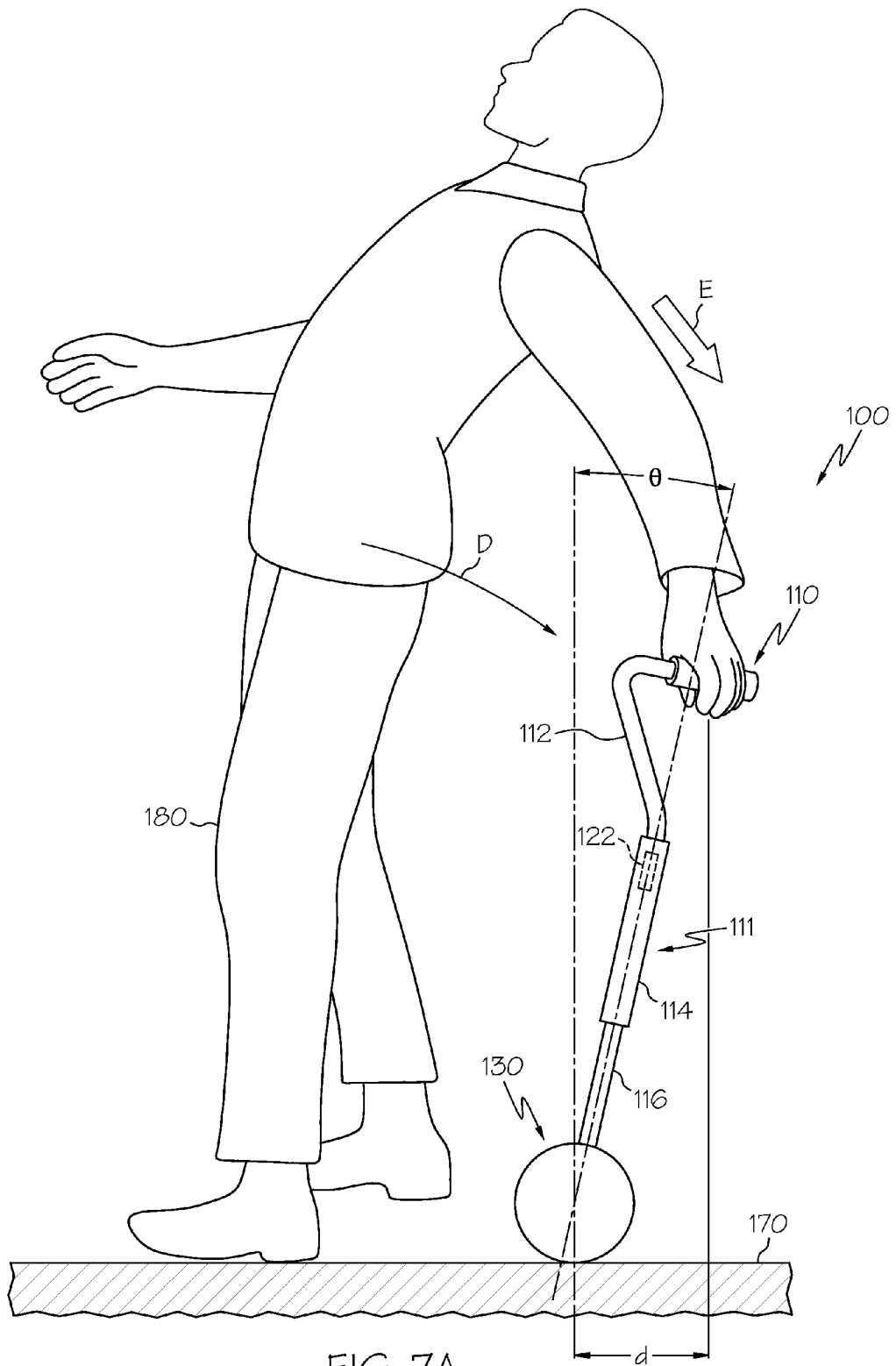
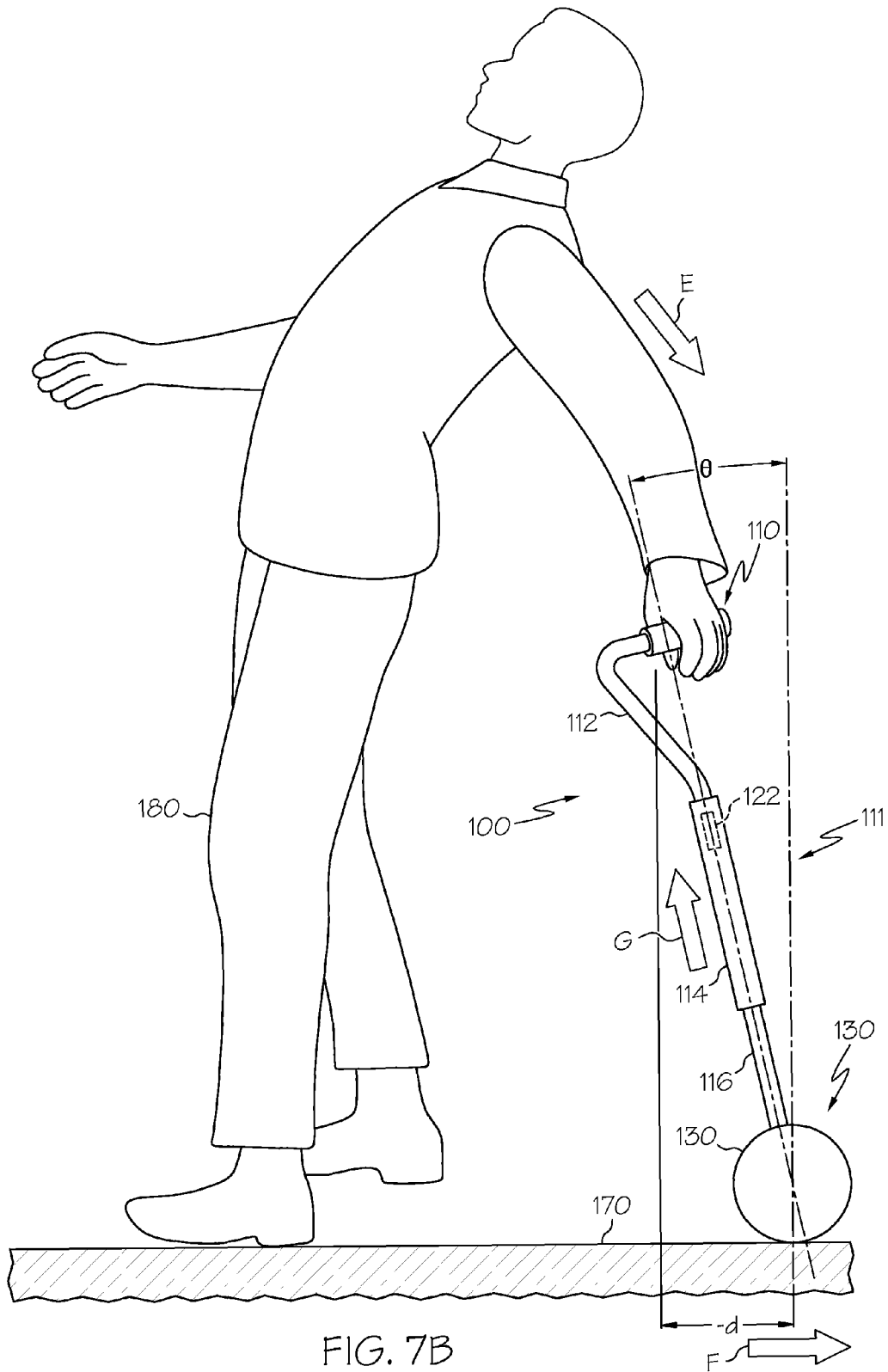


FIG. 6





ROBOTIC CANE DEVICES

TECHNICAL FIELD

The present specification generally relates to user assistive devices for physically assisting persons and, more specifically, robotic canes for assisting users to walk and stand in an upright position.

BACKGROUND

Injured, elderly and disabled persons may have difficulty standing or walking without physical assistance. In many cases, these individuals rely on assistive devices such as single-legged canes, four-legged canes, walkers, and wheel chairs. Assistive devices provide support for users so that they may stand or walk. Motorized devices, such as motorized wheel chairs and user transportation devices, may enable the user to travel from point A to point B with minimal effort by the user. However, these devices do not provide any rehabilitation aspects or feelings of independence to the user. For example, a user having a mild to moderate impairment in the lower extremity may benefit from rehabilitation motions that are used to relearn how to walk or stand. A person who simply rides on or in such a motorized device may not benefit from rehabilitation motions or procedures when attempting to walk or stand while totally depending on assistance. Further, in many cases the user may wish to independently stand or walk a distance and only minimally rely on an assistive device.

Accordingly, a need exists for alternative assistive devices for actively providing physical assistance in aiding a person to walk and/or stand in an upright position.

SUMMARY

In one embodiment, a robotic cane may include a grip handle, a cane body extending from the grip handle at a first end of the cane body, a motorized omni-directional wheel coupled to a second end of the cane body, a balance control sensor, and a controller module. The balance control sensor provides a balance signal corresponding to an orientation of the robotic cane. The controller module receives the balance signal from the balance control sensor and calculates a balancing velocity of the motorized omni-directional wheel based at least in part on the balance signal and an inverted pendulum control algorithm. The controller module also provides a drive signal to the motorized omni-directional wheel in accordance with the calculated balancing velocity. The calculated balancing velocity relates to a speed and direction of the motorized omni-directional wheel to retain the robotic cane in a substantially upright position.

In another embodiment, a robotic cane may include a grip handle, a cane body extending from the grip handle at a first end of the cane body, a motorized wheel assembly having at least one wheel coupled to a second end of the cane body, a proximity detector, and a controller module. The proximity detector may provide a proximity signal corresponding to a position of a user with respect to the robotic cane. The controller module receives the proximity signal from the proximity detector, calculates a distance of the robotic cane from the user based at least in part on the proximity signal, and provides a drive signal to the motorized wheel assembly such that the robotic cane follows the user at a predetermined distance during a user tracking mode.

In yet another embodiment, a robotic cane may include a grip handle, a cane body extending from the grip handle at a first end of the cane body, a motorized omni-directional wheel

coupled to a second end of the cane body, a balance control sensor, a grip force sensor associated with the grip handle, and a controller module. The balance control sensor may provide a balance signal corresponding to an orientation of the robotic cane and the grip force sensor may provide a grip force signal to the controller module in accordance with a grip force value applied to the grip handle. The controller module may receive the balance signal from the balance control sensor and monitor an orientation angle of the robotic cane based at least in part on the balance signal provided by the balance control sensor. The controller may compare the orientation angle of the robotic cane with a threshold angle, receive the grip force signal from the grip force sensor and compare the grip force value to a grip force threshold. A fall prevention drive signal may be provided to the motorized omni-directional wheel by the controller module during a fall prevention mode in accordance with a feed-forward control loop of an inverted pendulum control algorithm if the grip force value exceeds the grip force threshold such that the motorized omni-directional wheel provides a counter force that is opposite from a user weight projection indicated by the balance control sensor.

These and additional features provided by the embodiments described herein will be more fully understood in view of the following detailed description, in conjunction with the drawings.

BRIEF DESCRIPTION OF THE DRAWINGS

The embodiments set forth in the drawings are illustrative and exemplary in nature and not intended to limit the subject matter defined by the claims. The following detailed description of the illustrative embodiments can be understood when read in conjunction with the following drawings, wherein like structure is indicated with like reference numerals and in which:

FIG. 1 depicts a robotic cane in an upright position according to one or more embodiments shown and described herein;

FIG. 2 depicts a motorized wheel assembly having an omni-directional wheel according to one or more embodiments shown and described herein;

FIG. 3 depicts a robotic cane in an upright position having retractable auxiliary supports in a deployed position according to one or more embodiments shown and described herein;

FIG. 4 depicts a side view of a robotic cane in an angled orientation according to one or more embodiments shown and described herein;

FIG. 5 depicts a schematic illustration of a robotic cane electrical control system according to one or more embodiments shown and described herein;

FIG. 6 depicts a schematic illustration of a controller module of a robotic cane according to one or more embodiments shown and described herein;

FIG. 7A depicts a user and a robotic cane in an angled orientation according to one or more embodiments shown and described herein; and

FIG. 7B depicts a user and a robotic cane operating in a fall prevention mode according to one or more embodiments shown and described herein.

DETAILED DESCRIPTION

FIG. 1 generally depicts one embodiment of a robotic cane for assisting a user to walk or stand. The robotic cane generally comprises a grip handle, a cane body, a motorized wheel assembly and a controller module. The robotic cane may further comprise a balance control sensor, and the motorized

3

wheel assembly may comprise a single omni-directional wheel. Various embodiments of the robotic cane and the operation of the robotic cane will be described in more detail herein.

Referring now to FIG. 1, one embodiment of a robotic cane **100** is illustrated. The cane generally comprises a motorized wheel assembly **130** having an omni-directional wheel **134** that is mechanically coupled to a cane body **111**. The cane body **111** terminates in an angled grip handle **110**. A user may grasp the grip handle **110** and use the robotic cane to support his or her weight while walking or standing.

FIG. 2 illustrates the motorized wheel assembly **130** comprising the omni-directional wheel **134** depicted in FIG. 1. Although embodiments may be described herein in the context of motorized wheel assemblies having a single omni-directional wheel, embodiments are not limited thereto. The motorized wheel assembly may have any number of wheels that may be used to support and aid the user. For example, the robotic cane may have three or four motorized wheels such that the robotic cane may remain in an upright position without the inverted pendulum control, as described below with reference to the omni-directional wheel.

Referring to FIGS. 1 and 2, the motorized wheel assembly **130** may comprise a motorized omni-directional wheel **134** that is disposed within a wheel housing **132** having an opening **136** through which the omni-directional wheel **134** may contact a supporting surface such as a floor. The wheel housing **132** may be made of a metal material such as stainless steel or aluminum, for example, or a molded plastic material. The motorized omni-directional wheel **134** may be configured as a wheel **139** around a circumference of which a plurality of motorized roller elements **138** are positioned. The wheel **139** may be made of metal or a rigid plastic material. Referring to both FIGS. 1 and 2, the wheel **139** may be rotated in an angular direction depicted by arrow A by the application of one or more drive signals **163** (see FIGS. 5 and 6) to a drive motor (not shown). The rotation of the wheel **139** in the angular direction A causes the robotic cane **100** to travel in directions **140** and **142** as shown in FIG. 1.

Each of the plurality of roller elements **138** may be rotated in an angular direction as depicted by arrow B. The roller elements **138** may be individually or cooperatively rotated. The angular direction of rotation of each roller element **138** is perpendicular to the angular direction of rotation of the wheel **139**. In one embodiment, each roller element **138** is mechanically coupled to an individual roller element motor (not shown) that may be actuated with the application of a drive signal to initiate rotation of the roller element **138**. The rotation of the roller elements **138** may enable the robotic cane to travel in directions **141** and **143**, which are perpendicular to directions **140** and **142** provided by the rotation of the wheel **139**. The roller elements may have an exterior portion made of a rubber material or other similar material that provide increased friction between the omni-directional wheel **134** and the support surface.

As described in more detail below, drive signals **163** may be provided to the motorized omni-directional wheel **134** such that the rotation of the wheel **139** and roller elements **138** cooperatively rotate to enable the robotic cane **100** to travel in a plurality of directions such that the robotic cane **100** may move in accordance with a user's intended direction of travel, as well as move to retain its balance using an inverted balance control. Other omni-directional wheel configurations and controls may also be incorporated into the motorized wheel assembly **130**, and embodiments are not limited to the omni-directional wheel illustrated in FIGS. 1-3. In one embodiment, the motorized wheel assembly **130** may be rotatably

4

coupled to the cane body **111** such that the wheel **139** may be controllably rotated in a direction as indicated by arrow C in combination with or in lieu of the rotation of roller elements **138** to provide omni-directional functionality. In this embodiment, the motorized wheel assembly **130** may turn in the direction of the intended direction of travel of the user.

Referring again to FIG. 1, the motorized wheel assembly **130** is coupled to the cane body **111**. The cane body **111** may be integral with the wheel housing **132** as one component (e.g., the cane body **111** and wheel housing **132** may be molded as one component) or as separate components that are mechanically coupled together by fasteners. The cane body **111** may be made of a lightweight metal or plastic. As described above, the motorized wheel assembly **130** may also be rotatably coupled to the cane body **111** such that the motorized wheel assembly **130** may rotate with respect to the cane body **111**. In the illustrated embodiment, the cane body **111** comprises a lower section **116** that is coupled to the motorized wheel assembly **130**, a middle section **114**, and an upper section **112** that is curved and angled such that a grip handle **110** is substantially perpendicular to a support surface when the robotic cane **100** is in a substantially vertical orientation. Although the robotic cane **100** is illustrated as having a three-section cane body, embodiments are not limited thereto. Embodiments may comprise a cane body **111** having a single section, for example. In one embodiment, the middle section **114** may be slidably coupled to the lower section **116** such that a height of the robotic cane **100** may be adjusted by translating the middle section **114** along the lower section **116**.

The cane body **111** may house various electronic components, such as a balance control sensor **122** and a controller module **160**. As described in more detail below, the balance control sensor **122** and controller module **160** may cooperate to generate drive signals that are applied to the motorized omni-directional wheel such that the robotic cane may retain its balance in a substantially vertical orientation, support at least a portion of a user's weight, and move in a direction in accordance with a user's intended direction of travel.

The grip handle **110** may comprise a grip force sensor **120** and may be integral with the upper section **112** of the cane body **111** or a separate component. In one embodiment, the grip handle **110** has a cylindrically-shaped rubber (or other similar material) grip **115** that surrounds an end of the upper portion **112** of the cane body **111**. Any number of grip handle configurations may be utilized.

The grip force sensor **120** may be a force-sensitive tactile sensor positioned at any location on the grip handle **110** that detects an amount of gripping force that is applied to the grip handle **110** by the user. For example, the grip force sensor **120** may produce grip force signal **121** (see FIG. 5) in the form of an analog voltage signal, wherein an increased voltage signal is produced when an increased gripping force is applied to the grip handle **110** by the user. Conversely, a lower voltage signal may be produced by the grip force sensor **120** when a lower gripping force is present. The grip force sensor **120** may also produce a digital grip force signal **121** that is indicative of the level of gripping force applied to the grip handle. As described below, the grip force sensor **120** is communicably coupled to the controller module **160** such that the controller module **160** may receive the grip force signal **121** from the grip force sensor **120**.

Referring to FIG. 3, a robotic cane **100** comprising a motorized wheel assembly **130** having a single motorized omni-directional wheel **134** further comprises retractable auxiliary supports **137** that aid in maintaining the robotic cane in a vertical orientation when the robotic cane is in a power-off

mode (i.e., a support mode). The auxiliary supports **136** may include a wheel or stopper that engages the support surface such that the robotic cane **100** does not fall over when the inverted pendulum control is inactive or the robotic cane is not powered on. The auxiliary supports **137** may be maintained within the wheel housing **132** and automatically deployed when the power is turned off or during an emergency situation. In one embodiment, the auxiliary supports **137** may be folded into the wheel housing **132** during operation of the robotic cane **100** and then pivot away from the wheel housing **132** toward the support surface when the robotic cane is powered down. FIG. **1** illustrates a robotic cane having auxiliary supports in a retracted position within the wheel housing.

The motorized wheel assembly **130** may be controlled by the application of one or more drive signals produced and provided by a controller module **160**. FIG. **5** illustrates a schematic of an exemplary robotic cane electrical control system, while FIG. **6** illustrates a schematic of an exemplary controller module **160**. Referring to both FIGS. **5** and **6**, the controller module **160** may comprise a microcontroller **162**, memory **164**, and drive signal electronics **166**. The controller module **160** may include other components that are not shown, such as input signal conditioning circuits to prepare the input signals **161** prior to being received at the microcontroller **162**, an analog to digital converter for converting analog input signals **161** into digital signals, etc. In some embodiments, the microcontroller **162** may comprise integrated analog-to-digital and digital-to-analog converters.

The input signals **161** may include input signals provided by the various sensors. For example, the controller module illustrated in FIG. **5** receives a grip force signal **121** from a grip force sensor, a balance signal **123** from a balance control sensor **122**, a force signal **127** from a force sensor **126**, and a proximity signal **125** from a proximity detector **124**. The various input signals are referred to generally as input signals **161** in FIG. **6**. The microcontroller **162** receives these input signals **161** to determine how to instruct the motorized wheel assembly **130** to rotate. The memory **164** is operable to store computer readable instructions **168** that, when read and executed by the microcontroller **162**, cause the controller module to produce the drive signals **163** that are provided to the motorized wheel assembly **130**. In embodiments that utilize a single motorized omni-directional wheel **134**, the set of executable instructions **168** may include an inverted pendulum control algorithm that calculates a balancing velocity of the motorized omni-directional wheel that is based on the balance signal **123**.

The drive signal electronics **166** may be provided to receive signals from the microcontroller **162** and produce drive signals **163** that are sent to the motorized wheel assembly **130** to control the motion and balance control of the robotic cane **100**. The drive signal electronics **166** may include transistors or other switching devices that are configured to output voltage or current in accordance with instructions from the microcontroller **162**. The drive signal or signals **163** provided to motorized wheel assembly **130** may depend on the particular type and configuration of motorized wheel assembly. In another embodiment, the drive control electronics **166** may further comprise digital-to-analog converters operable to translate digital signals provided by the microcontroller **162** into analog signals to produce analog drive signals **163** that are provided to the motorized wheel assembly **130**.

Referring now to FIG. **4**, the balance control sensor **122** determines an orientation and movement of the robotic cane **100**. The balance control sensor **122** may comprise one or more gyroscope and/or accelerometer devices that are

capable of determining an orientation of the robotic cane **100** with respect to a vertical orientation, as well as an acceleration of the robotic cane **100**. The balance signal **123** provided by the balance control sensor **122** corresponds to an orientation angle θ between a central axis of the robotic cane **100** and a vertical orientation, as well as an offset horizontal distance d along the support surface **170** from the central axis of the robotic cane **100** to the rotational axis of the omni-directional wheel. For example, the balance signal **123** provides information relating to a direction and acceleration in which the robotic cane **100** may be tipping over, or information relating to a user's weight shift and desired direction and speed of travel.

In embodiments utilizing an omni-directional wheel **134**, the controller module **160** may have an inverted pendulum control algorithm stored in the memory **164** to maintain the robotic cane **100** balanced in a substantially upright position during an autonomous standing operation with no user interaction, as well as provide a counter force to keep the user balanced during a user assist operation. During both the autonomous standing operation and the user assist operation, the controller module **160** maintains the robotic cane **100** in a substantially upright position. The inverted pendulum control algorithm may be based on fuzzy control logic, H_{∞} control logic, or any other feedback methodology to calculate a balancing velocity of the omni-directional wheel **134** to keep the robotic cane **100** in a substantially upright position. In accordance with the inverted pendulum control, the omni-directional wheel rotates to cause the robotic cane **100** to move slightly to counter a falling motion of the cane such that cane remains upright. Referring to FIG. **4**, the illustrated robotic cane **100** is orientated at a relatively large orientation angle θ . Using fuzzy or H_{∞} control logic, the controller module **160** calculates a balance velocity indicative of an angular speed and direction that the omni-directional wheel **134** should be rotated to retain the robotic cane **100** in an upright position. The drive electronics **166** of the controller module then provides one or more drive signals to the omni-directional wheel **134** so that the wheel rotates accordingly such that the wheel travels a horizontal distance d (i.e., in the right direction), thereby making the orientation angle θ and offset distance d equal to zero. Therefore, the inverted pendulum control algorithm may cause the omni-directional wheel to make continuous corrective rotations to keep the cane substantially upright without user intervention.

During a user assist mode, not only does the controller module **160** provide drive signals to the omni-directional wheel **134** to keep the robotic cane **100** upright, it causes the robotic cane **100** to support the user in a standing position or travel in a direction at a speed that matches a desired direction and speed of travel of the user. As illustrated by the generally downward arrows **150** in FIG. **1**, the user may apply a generally downward force onto the robotic cane **100** at the grip handle **120** by using the robotic cane **100** to assist himself or herself to remain in a standing position or to walk to a particular destination.

The user may walk while holding the cane at the grip handle **110** so that the cane travels at the same direction and speed of the user while remaining in a substantially upright position. The balance signal **123** provided by the sensor devices of the balance control sensor **122** is indicative of a force or weight projection provided on the robotic cane **100** at the grip handle **110** by a user. The weight projection corresponds to a desired direction and speed of travel. When the user pushes the robotic cane **100** in a forward direction, the orientation angle θ will indicate to the controller module the user's weight projection that corresponds to the direction and

speed in which the user wishes to walk. The controller module 160 receives the balance signal 123 and calculates the user's weight projection and determines an angular speed and direction of the omni-directional wheel 134 that will cause the robotic cane 100 to travel at the user's speed and direction. The controller module 160 then outputs a drive signal to the omni-directional wheel accordingly. By remaining in a substantially upright position while moving with the user, the robotic cane 100 provides a counter force on the grip handle 110 and supports the user while he or she walks.

In another embodiment, the intended direction and speed of travel may be provided by a force input device 126 (FIG. 5) maintained in the grip handle 110. The force input device 126 may be a multi-axis sensor that detects both magnitude and direction of a force. The force input device 126 detects the force applied to the grip handle 110 and provides a force input signal 127 to the controller module 160. The controller module 160 uses the force input signal 127 to calculate and provide a drive signal that causes the robotic cane to travel at the user's intended walking speed and direction.

The controller module 160 may also be programmed to cause the robotic cane 100 to be operated in a fall-prevention mode that quickly provides a counter force to a user's falling projection. When a user of a cane or other supporting device such as a walker is about to lose his or her balance, he or she instinctively reacts by strongly gripping the cane or walker. Embodiments may use this sudden fluctuation of a user's gripping force applied to the grip handle 110 to predict that the user is losing his or her balance and to react accordingly by switching from a user assist mode to a fall prevention mode.

The grip force sensor 120 may provide a grip force signal 121 in response to a sudden increase of force applied to the grip handle 110 by a user. The controller module 160 receives the grip force signal 121. If the grip force signal 121 is greater than a grip force threshold value, for example, the controller module 160 switches an operational control mode from the user assist mode to a fall prevention mode in accordance with the computer executable instructions stored in the memory. During the fall prevention mode, the controller module 160 may sample the balance signal 122 of the balance control sensor at an increased frequency over the sampling frequency during the user assist mode to quickly react to the potential fall of the user. The controller module 160 samples the balance signal 122 to calculate the orientation of the robotic cane as described above. The orientation of the robotic cane is indicative of the user's weight projection.

Referring to FIG. 7A, a user 180 is illustrated as losing his or her balance in a direction indicated by arrow D. The user's weight projection (arrow E) during the initiation of the fall causes the robotic cane 100 to have an orientation angle of θ and a positive offset horizontal distance of d from the rotational axis of the omni-directional wheel of the motorized wheel assembly 130 to the central axis of the robotic cane 100. After switching to the fall prevention mode based on the sudden increase of the force at the grip handle, the controller module 160 determines the orientation of the robotic cane and calculates a fall prevention drive signal to be applied to the omni-directional wheel in accordance with the determined cane orientation. The fall prevention mode utilizes a feed-forward control loop (i.e., an open control loop) in addition to the feed-back control loop to quickly determine the user's weight projection and calculate the fall prevention drive signal.

Rather than applying a drive signal to the motorize wheel assembly 130 to cause the robotic cane 100 to return to an upright position as described above with respect to the user

assist mode, the fall prevention drive signal causes the robotic cane 100 to be oriented at an angle that provides a counter force to a user's weight projection during a fall such that the robotic cane 100 may support the user. Referring now to FIG. 7B, an orientation of the robotic cane 100 to support a user 180 during a fall depicted in FIG. 7A is illustrated. The fall prevention drive signal causes the robotic cane 100 to quickly translate in the direction indicated by arrow F at a distance that is greater than the offset distance d , such that the robotic cane moves past a position corresponding to a substantially upright position. The robotic cane 100 translates such that there is a negative distance $-d$ from the rotational axis of the omni-directional wheel of the motorized wheel assembly 130 to the central axis of the robotic cane 100. Therefore, the fall prevention drive signal causes the robotic cane 100 to be orientated at an orientation angle $-\theta$ that is opposite from the orientation angle θ provided by the weight projections of the user. This orientation of the robotic cane provides a counter force indicated by arrow G to the weight projection E. In this manner, the robotic cane may support the user during the first moments of a potential fall. The user may then regain his or her balance and return to a stable standing position and relax his or her gripping force on the grip handle 110. The controller module 160 continues to monitor the grip force signal 121 and the balance signal 123 to determine that the user is stable and then switch from the fall prevention mode back to the user assist mode.

Embodiments may also be operated in a user tracking mode wherein the robotic cane 100 is programmed to follow the user at a particular distance, which may be programmable by the user. The distance may be programmed by using an input device on the robotic cane 100 or by using a computer that is communicably coupled to the robotic cane. The ability of the robotic cane 100 to follow the user may be advantageous in physical therapy or rehabilitation sessions where the user is trying to walk on his or her own but still requires a cane nearby in case he or she falters and needs to grab onto the cane for assistance. Similarly, the user tracking mode may be used by disabled or elderly persons so that they may still feel independent in walking without assistance.

The robotic cane 100 may be equipped with a proximity detector 124 that provides a proximity signal 125 corresponding to a distance between the robotic cane 100 and the user to the controller module 160. The controller module 160 may be programmed to receive and use the proximity signal 125 to calculate the drive signal 163 such that the robotic cane 100 remains in a substantially upright position and autonomously follows the user at the predetermined distance.

The proximity detector may take a variety of forms. In one embodiment, the proximity detector is an RFID tag reader device positioned on the cane body 111 that communicates with an RFID tag associated with the user. The RFID reader device or the controller module 160 may determine a position of the user with respect to the robotic cane based on the RF signal communicated between the RFID reader device and RFID tag. In another embodiment, the proximity detector 123 is configured as one or more infrared distance sensors positioned on the cane body 111 that detect a distance between the robotic cane and the user. The infrared distance sensor or sensors may then provide a proximity signal or signals to controller module. Other proximity detector devices may also be used. For example, a wireless communications device may be associated with the user that broadcasts a wireless beacon signal that is received by a wireless receiver on the robotic cane. The wireless receiver or the controller module may determine a position of the user with respect to the robotic cane based on the received wireless beacon signal.

Some embodiments may be equipped with a user identification device such that the robotic cane may only be operated by registered users. The user identification device may be a numeric or alpha-numeric pad, a fingerprint verification device, or a face recognition device. Once a user's identity is verified, the robotic cane **100** may be automatically configured according to one or more user parameters. For example, a length of the cane body **111** may be automatically adjusted such that the robotic cane **100** is at a proper height for the particular registered user. Other parameters may be set, such as maximum speed for the particular user and disabled fall prevention mode, for example.

It should now be understood that the embodiments of the robotic cane described herein may be used to provide assistance in walking and standing to a user. For example, in one embodiment a robotic cane comprises a motorized wheel assembly having a single omni-directional wheel that is driven to remain in a substantially upright position and travel in a direction and at a speed corresponding to the walking motion of a user. Embodiments may also quickly be oriented to provide a counter force in response to a user starting to fall. A tracking mode may also be provided such that the robotic cane follows a user at a predetermined distance.

It is noted that the terms "substantially" and "about" may be utilized herein to represent the inherent degree of uncertainty that may be attributed to any quantitative comparison, value, measurement, or other representation. These terms are also utilized herein to represent the degree by which a quantitative representation may vary from a stated reference without resulting in a change in the basic function of the subject matter at issue.

While particular embodiments have been illustrated and described herein, it should be understood that various other changes and modifications may be made without departing from the spirit and scope of the claimed subject matter. Moreover, although various aspects of the claimed subject matter have been described herein, such aspects need not be utilized in combination. It is therefore intended that the appended claims cover all such changes and modifications that are within the scope of the claimed subject matter.

What is claimed is:

1. A robotic cane comprising:

- a grip handle;
- a cane body extending from the grip handle at a first end of the cane body;
- a motorized omni-directional wheel coupled to a second end of the cane body;
- a balance control sensor, wherein the balance control sensor provides a balance signal corresponding to an orientation of the robotic cane; and
- a controller module, wherein the controller module:
 - receives the balance signal from the balance control sensor;
 - calculates a balancing velocity of the motorized omni-directional wheel based at least in part on the balance signal and an inverted pendulum control algorithm; and
 - provides a drive signal to the motorized omni-directional wheel in accordance with the calculated balancing velocity, wherein the calculated balancing velocity relates to a speed and direction of the motorized omni-directional wheel to retain the robotic cane in a substantially upright position.

2. The robotic cane of claim **1** wherein:

- the controller module is further calculates a user weight projection provided by a user based at least in part on the balance signal and the inverted pendulum control algo-

rithm, and provides a drive signal to the motorized omni-directional wheel in accordance with the user weight projection;

the user weight projection corresponds to a desired user direction and speed of travel; and

the drive signal controls the motorized omni-directional wheel such that the robotic cane travels at substantially the desired user direction and speed of travel.

3. The robotic cane of claim **1** wherein the inverted pendulum control algorithm comprises fuzzy control logic or H_{∞} logic control logic.

4. The robotic cane of claim **1** further comprising a plurality of retractable auxiliary supports, wherein the retractable auxiliary supports are in an engaged position when the robotic cane is operated in a supported mode such that the retractable auxiliary supports engage a supporting surface, and the retractable auxiliary supports are in an unengaged position when the robotic cane is operated in an unsupported mode such that the retractable auxiliary supports are disengaged from the supporting surface.

5. The robotic cane of claim **1** further comprising a grip force sensor associated with the grip handle for providing a grip force signal to the controller module in accordance with a grip force value applied to the grip handle, wherein the controller module:

- receives the grip force signal from the grip force sensor;
- compares the grip force value to a grip force threshold; and
- provides a fall prevention drive signal to the motorized omni-directional wheel if the grip force value exceeds the grip force threshold, wherein the fall prevention drive signal is determined at least in part on the grip force signal, the balance signal, and a feed-forward loop of the inverted pendulum control algorithm such that the motorized omni-directional wheel provides a counter force that is opposite from a user weight projection indicated by the balance control sensor.

6. The robotic cane of claim **5** wherein:

- the fall prevention drive signal causes the robotic cane to be orientated at an orientation angle that provides the counter force; and

the robotic cane returns to a substantially upright position when the grip force value is below the grip force threshold.

7. The robotic cane of claim **1** wherein the controller module is programmed to provide the drive signal to the motorized omni-directional wheel such that the robotic cane autonomously follows a user within a predetermined distance.

8. A robotic cane comprising:

- a grip handle;
- a cane body extending from the grip handle at a first end of the cane body;
- a motorized wheel assembly comprising at least one wheel coupled to a second end of the cane body;
- a proximity detector, wherein the proximity detector provides a proximity signal corresponding to a position of a user with respect to the robotic cane;
- a controller module, wherein the controller module:
 - receives the proximity signal from the proximity detector;
 - calculates a distance of the robotic cane from the user based at least in part on the proximity signal; and
 - provides a drive signal to the motorized wheel assembly such that the robotic cane follows the user at a predetermined distance; and

11

a grip force sensor associated with the grip handle for providing a grip force signal to the controller module in accordance with a grip force value applied to the grip handle, wherein

the motorized wheel assembly comprises a motorized 5
omni-directional wheel; and

the controller module:

receives the grip force signal from the grip force sensor; compares the grip force value to a grip force threshold; and 10

provides a fall prevention drive signal to the motorized omni-directional wheel if the grip force value exceeds the grip force threshold, wherein the fall prevention drive signal is determined at least in part on the grip force signal, a balance signal, and a feed-forward loop of an inverted pendulum control algorithm such that the motorized omni-directional wheel provides a counter force that is opposite from a user weight projection indicated by the balance control sensor. 15

9. The robotic cane of claim 8 wherein the proximity detector comprises an RFID tag reader operable to read an RFID tag associated with the user and indicate the position of the user with respect to the robotic cane. 20

10. The robotic cane of claim 8 further comprising a force input device, wherein the force input device provides a force signal corresponding to a magnitude and a direction of a force applied to the grip handle during an assist mode and the controller module: 25

receives the force signal from the balance control sensor; calculates a user velocity based at least in part on the force signal; and 30

provides a drive signal to the motorized wheel assembly in accordance with the calculated user velocity such that the robotic cane travels at substantially a desired user direction and a speed of travel while the robotic cane is operating in the assist mode. 35

11. The robotic cane of claim 8 further comprising a balance control sensor, wherein: 40

the balance control sensor provides a balance signal corresponding to an orientation of the robotic cane;

the motorized wheel assembly comprises an omni-directional wheel; and

the controller module receives the balance signal from the balance control sensor and provides a drive signal to the motorized wheel assembly in accordance with the balance signal and an inverted pendulum control algorithm such that the robotic cane remains in an upright position. 45

12. The robotic cane of claim 8 wherein:

the fall prevention drive signal causes the robotic cane to be orientated at an orientation angle that provides the counter force; and 50

the robotic cane returns to a substantially upright position when the grip force value is below the grip force threshold.

13. A robotic cane comprising: 55

a grip handle;

a cane body extending from the grip handle at a first end of the cane body;

a motorized omni-directional wheel coupled to a second end of the cane body;

12

a balance control sensor, wherein the balance control sensor provides a balance signal corresponding to an orientation of the robotic cane;

a grip force sensor associated with the grip handle for providing a grip force signal in accordance with a grip force value applied to the grip handle; and

a controller module, wherein the controller module:

receives the balance signal from the balance control sensor;

monitors an orientation angle of the robotic cane based at least in part on the balance signal provided by the balance control sensor;

receives the grip force signal from the grip force sensor; compares the grip force value to a grip force threshold; and

provides a fall prevention drive signal to the motorized omni-directional wheel during a fall prevention mode in accordance with a feed-forward control loop of an inverted pendulum control algorithm if the grip force value exceeds the grip force threshold such that the motorized omni-directional wheel provides a counter force that is opposite from a user weight projection indicated by the balance control sensor. 60

14. The robotic cane of claim 13 wherein the balance control sensor samples the orientation of the robotic cane at a sampling frequency that is greater during the fall prevention mode than when the robotic cane is not operated during the fall prevention mode.

15. The robotic cane of claim 13 wherein:

the fall prevention drive signal causes the robotic cane to be orientated at an orientation angle that provides the counter force; and

the robotic cane returns to a substantially upright position when the grip force value is below the grip force threshold. 65

16. The robotic cane of claim 15 wherein the controller module is further operable to provide a drive signal to the motorized omni-directional wheel in accordance with the balance signal and a feedback loop of the inverted pendulum control algorithm such that the robotic cane remains in an upright position.

17. The robotic cane of claim 13 wherein the grip force sensor comprises a force-sensitive tactile sensor.

18. The robotic cane of claim 13 wherein:

the controller module calculates the user weight projection provided by a user based at least in part on the balance signal and the inverted pendulum control algorithm, and provides a drive signal to the motorized omni-directional wheel in accordance with the user weight projection; 70

the user weight projection corresponds to a desired user direction and speed of travel; and

the drive signal controls the motorized omni-directional wheel such that the robotic cane travels at substantially the desired user direction and speed of travel. 75

19. The robotic cane of claim 13 wherein the controller module provides the drive signal to the motorized omni-directional wheel such that the robotic cane autonomously follows a user within a predetermined distance.

* * * * *