



US008109690B2

(12) **United States Patent**
Sutchiewcharn et al.

(10) **Patent No.:** **US 8,109,690 B2**

(45) **Date of Patent:** **Feb. 7, 2012**

(54) **SYSTEM FOR CONTINUOUS VEHICULAR TRAVEL ON CROSSING ROADWAYS**

(56) **References Cited**

(75) Inventors: **Narathip Sutchiewcharn**, Niles, IL (US); **Zongzhi Li**, Clarendon Hills, IL (US); **Jeffrey Budiman**, Lisle, IL (US); **Jay Shen**, Ames, IA (US)

(73) Assignee: **Illinois Institute of Technology**, Chicago, IL (US)

(*) Notice: Subject to any disclaimer, the term of this patent is extended or adjusted under 35 U.S.C. 154(b) by 0 days.

U.S. PATENT DOCUMENTS

1,173,505 A	2/1916	Hale	
3,238,854 A *	3/1966	Okubo	404/1
4,592,673 A *	6/1986	Lee	404/1
4,861,184 A	8/1989	Mier	
4,927,288 A	5/1990	Raswant	
5,049,000 A *	9/1991	Mier et al.	404/1
5,520,478 A *	5/1996	Yin-Lung	404/1
7,234,891 B2 *	6/2007	Niiya et al.	404/1
2002/0036584 A1	3/2002	Jocoy et al.	
2008/0033631 A1	2/2008	Yin	
2008/0152426 A1 *	6/2008	Liu et al.	404/1

* cited by examiner

(21) Appl. No.: **12/612,083**

Primary Examiner — Raymond Addie

(22) Filed: **Nov. 4, 2009**

(74) *Attorney, Agent, or Firm* — Pauley Petersen & Erickson

(65) **Prior Publication Data**

US 2010/0111601 A1 May 6, 2010

Related U.S. Application Data

(60) Provisional application No. 61/198,264, filed on Nov. 4, 2008.

(57) **ABSTRACT**

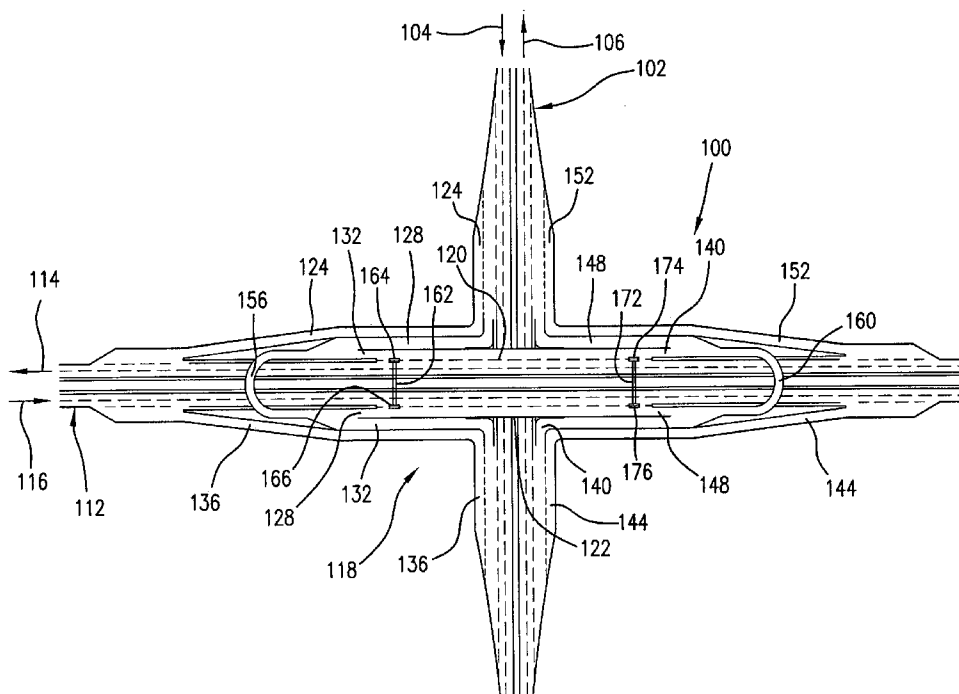
Systems for improved vehicular movement between first and second crossing roadways. The systems employ multiple turn roadways to permit a vehicle traveling on one of the crossing roadways to appropriately turn and continuously travel onto the other of the crossing roadway. The systems are adaptable to use in conjunction with either left side of the road vehicle movement or right side of the road vehicle movement. In addition, the systems can be adapted for use in conjunction a roadway crossing whereat at least one of the roads is for forwarded vehicle movement in only one direction.

(51) **Int. Cl.**
E01C 1/04 (2006.01)

(52) **U.S. Cl.** **404/1**

(58) **Field of Classification Search** 404/1
See application file for complete search history.

16 Claims, 7 Drawing Sheets



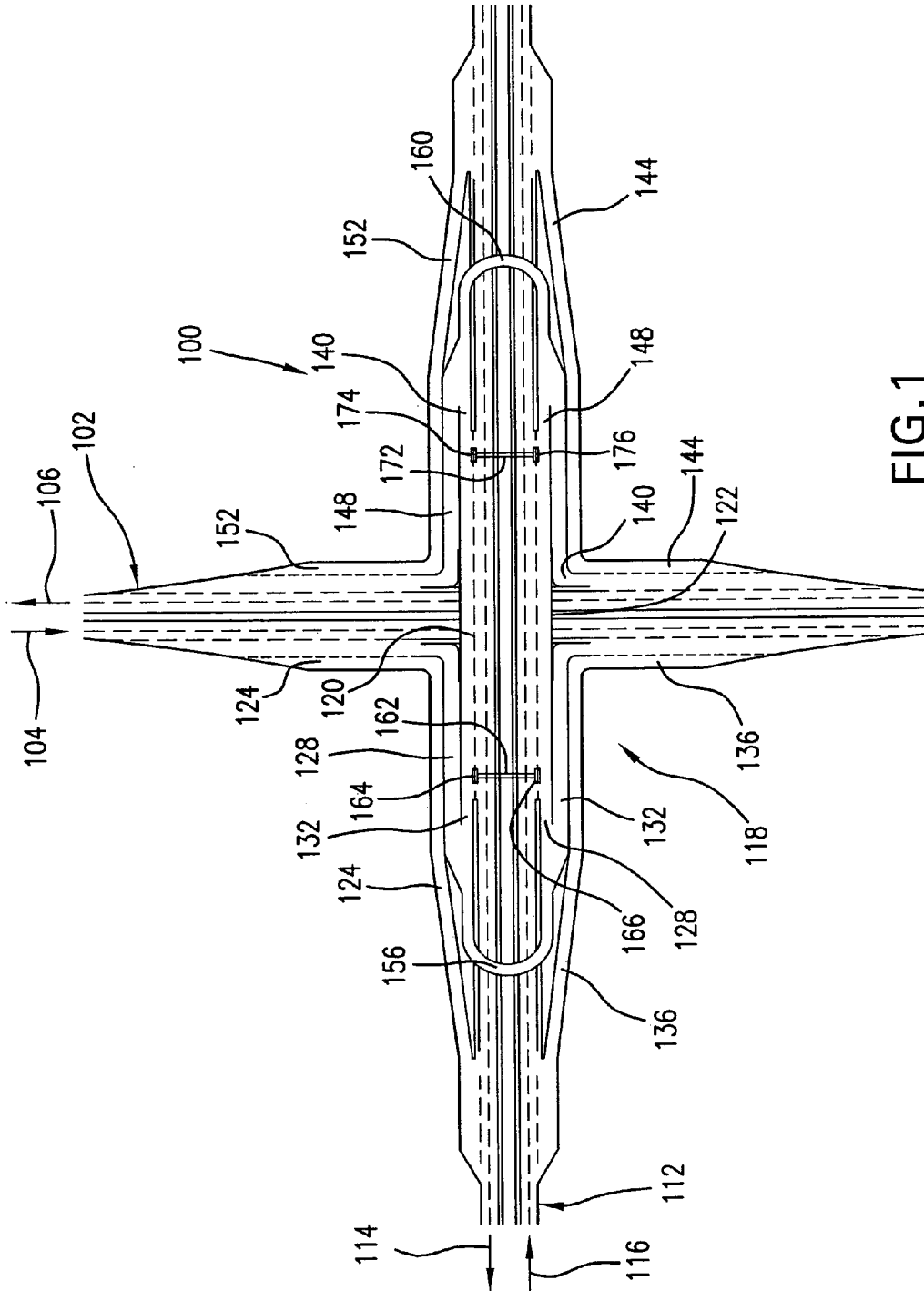


FIG. 1

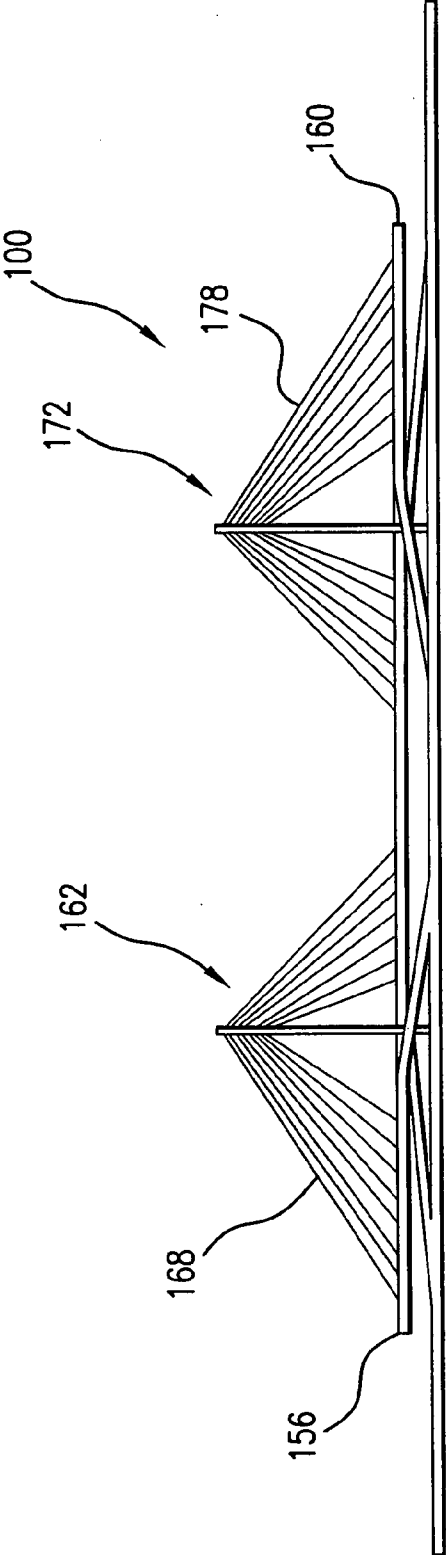
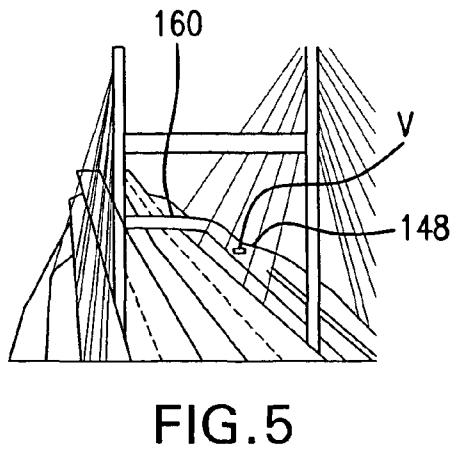
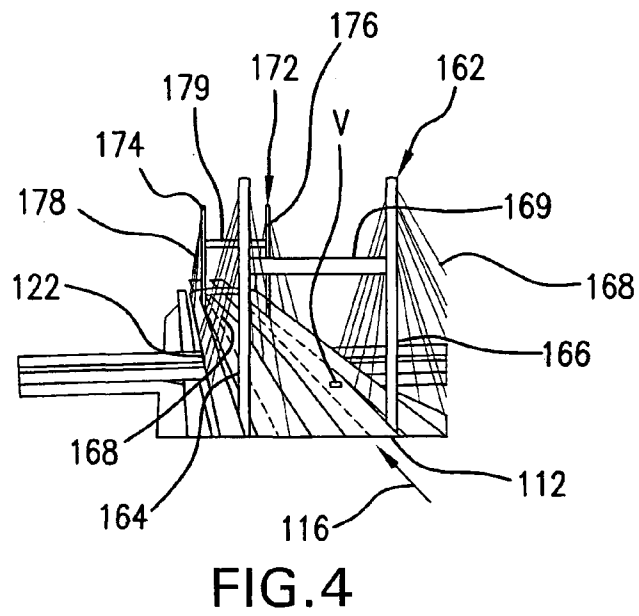
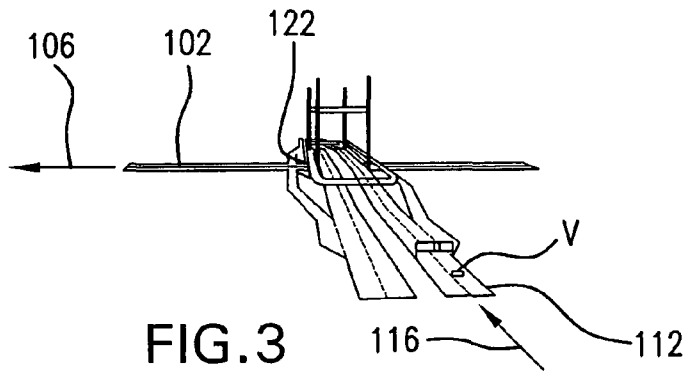


FIG. 2



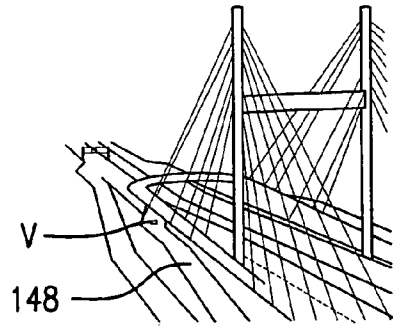


FIG. 6

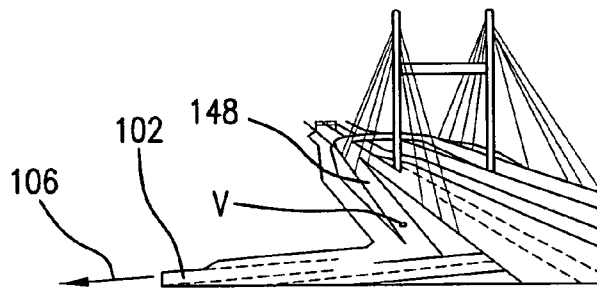


FIG. 7

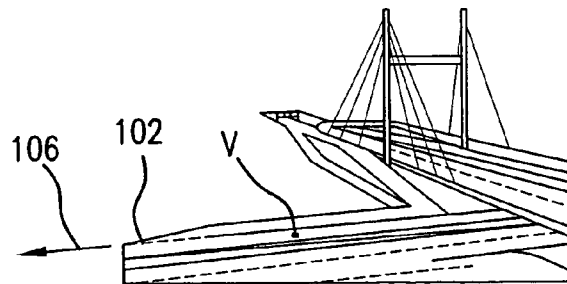


FIG. 8

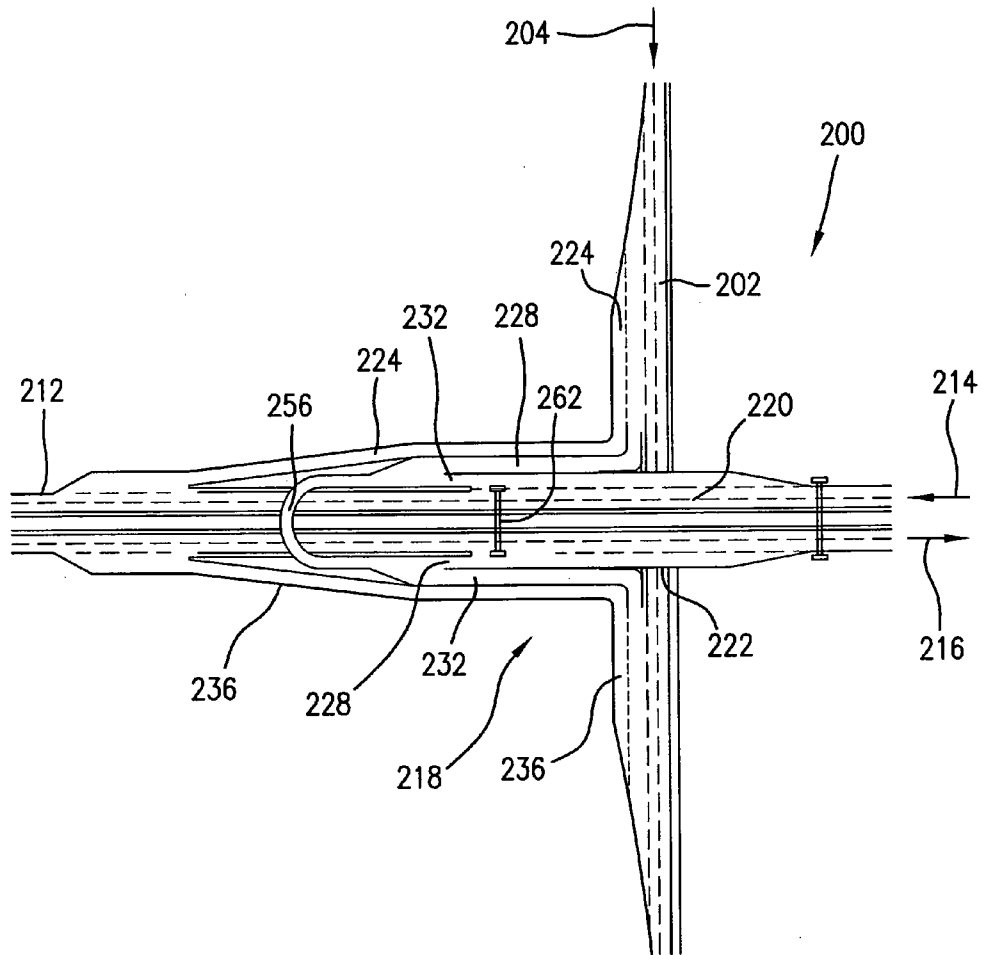
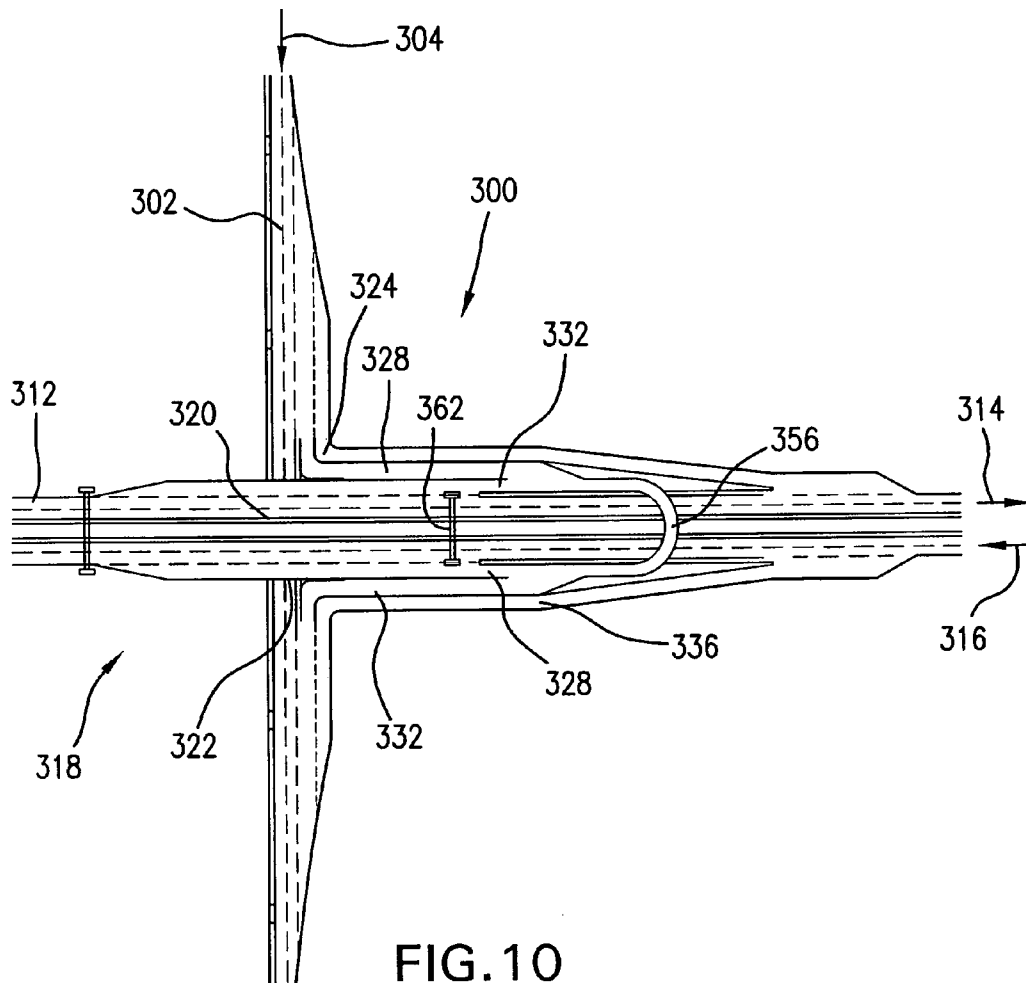


FIG. 9



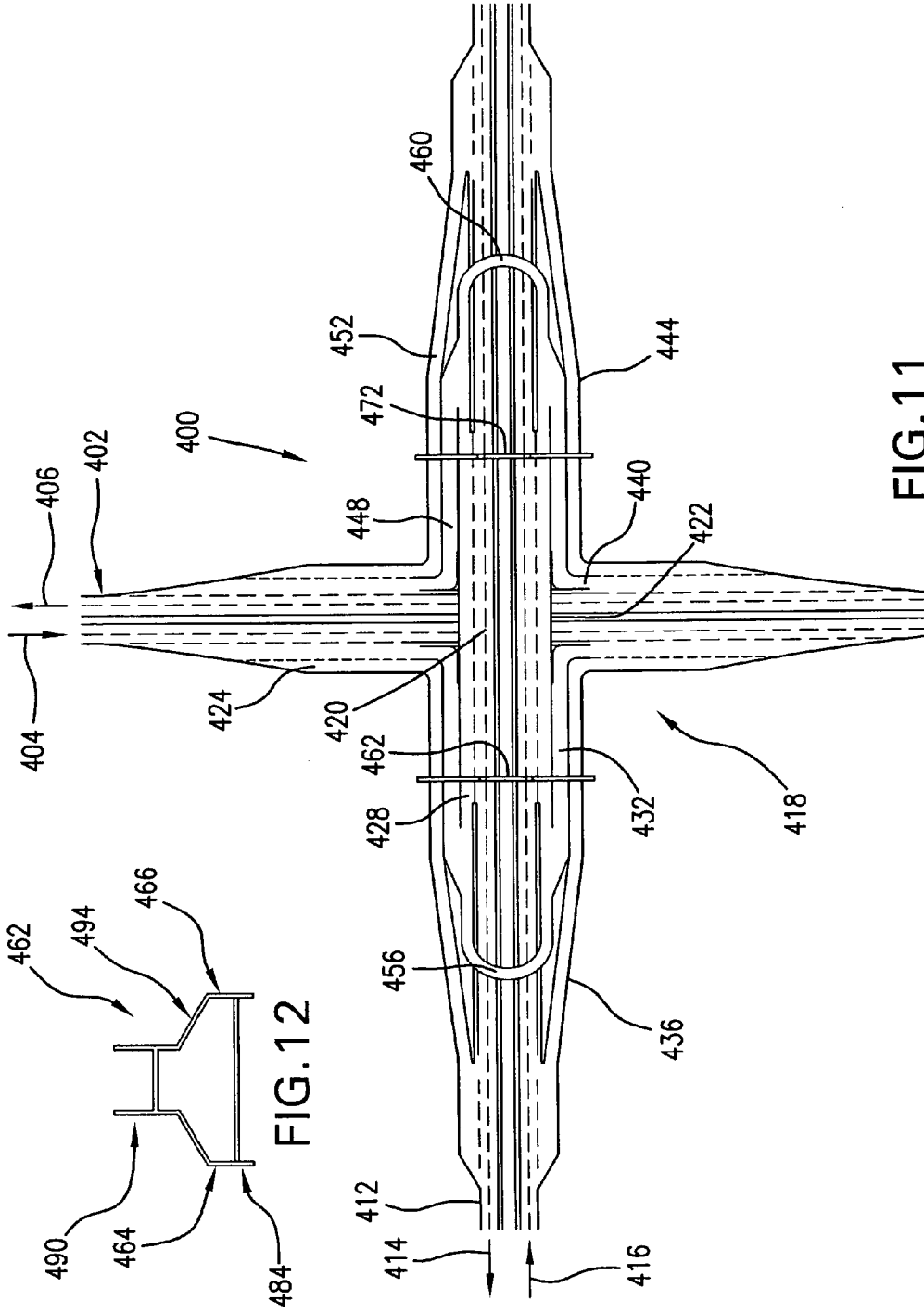


FIG. 11

FIG. 12

SYSTEM FOR CONTINUOUS VEHICULAR TRAVEL ON CROSSING ROADWAYS

BACKGROUND OF THE INVENTION

The invention relates generally to roadways for vehicular travel and, more particularly, for vehicular travel in a continuous fashion on crossing roadways.

Today, travel on various types or kinds of roadways via various types or kinds of vehicles is a common occurrence. For example, it is common to move or transport people, products and goods on roadways such as highways and byways in vehicles such as by car, bus and truck.

Unfortunately, roadway crossings such as in the form of intersections can present obstacles to desired vehicular movement on such roadways. In particular, roadway intersections can act to limit or hinder desired vehicular movement such as by reducing or limiting one or more of the speed, efficiency or safety of vehicle movement by or through a roadway crossing. For example, in addition to being a prime source for vehicle collisions, roadway intersections often result in delays in vehicle movement through the intersection and such as may undesirably increase vehicle exhaust emissions.

While particular highway designs, such as cloverleaf type interchanges, can facilitate vehicle movement at roadway crossings, cloverleaf type interchanges can require significant amounts of land or area for proper implementation. Consequently there is a need and a desire for roadway crossing systems that not only facilitate vehicle movement at roadway crossings but desirably do so in a relatively compact area such as to minimize the area of land required for proper implementation.

Thus, there is a need and a desire for improved vehicular movement at roadway crossings. In particular, there is a need and a desire for a roadway crossing system that better permits or facilitates vehicular travel in a continuous fashion on crossing roadways.

SUMMARY OF THE INVENTION

A general object of the invention is to provide an improved system for continuous vehicular travel on crossing roadways.

A more specific objective of the invention is to overcome one or more of the problems described above.

The general object of the invention can be attained, at least in part, through a system for improved vehicular movement between first and second crossing roadways. In accordance with one embodiment such a system includes a first roadway for vehicular travel in at least a first roadway first direction. The system also includes a second roadway for vehicular travel in a second roadway first direction and in a second roadway second direction opposite the second roadway first direction. The first and second roadways are in a crossing alignment with the first roadway disposed at a distinct elevation relative to the second roadway in an area adjacent to the crossing.

The system further includes first, second, third and fourth turn roadways, with:

the first turn roadway connecting the first roadway with the second roadway and allowing a vehicle traveling on the first roadway in the first roadway first direction to continuously travel onto the second roadway in the second roadway first direction;

the second turn roadway connecting the first roadway with the second roadway and allowing a vehicle traveling on the

first roadway in the first roadway first direction to continuously travel onto the second roadway in the second roadway second direction;

the third turn roadway connecting the second roadway with the first roadway and allowing a vehicle traveling on the second roadway in the second roadway first direction to continuously travel onto the first roadway in the first roadway first direction; and

the fourth turn roadway connecting the second roadway with the first roadway and allowing a vehicle traveling on the second roadway in the second roadway second direction to continuously travel onto the first roadway in the first roadway first direction.

At least one of the second and third turn roadways traverses at least a portion of one of the first and second roadways.

The invention further comprehends a system for improved vehicular movement between a first roadway for multiple lane vehicular travel in both a first roadway first direction and in a first roadway second direction opposite the first roadway first direction and a second roadway for multiple lane vehicular travel in both a second roadway first direction and in a second roadway second direction opposite the second roadway first direction. The first and second roadways are in crossing alignment with the first roadway disposed at a distinct elevation relative to the second roadway in an area adjacent to the crossing.

A first turn roadway connects the first roadway with the second roadway and allows a vehicle traveling on the first roadway in the first roadway first direction to continuously travel onto the second roadway in the second roadway first direction. A second turn roadway connects the first roadway with the second roadway and allows a vehicle traveling on the first roadway in the first roadway first direction to continuously travel onto the second roadway in the second roadway second direction. A third turn roadway connects the second roadway with the first roadway and allows a vehicle traveling on the second roadway in the second roadway first direction to continuously travel onto the first roadway in the first roadway first direction. A fourth turn roadway connects the second roadway with the first roadway and allows a vehicle traveling on the second roadway in the second roadway second direction to continuously travel onto the first roadway in the first roadway first direction. A fifth turn roadway connects the first roadway with the second roadway and allows a vehicle traveling on the first roadway in the first roadway second direction to continuously travel onto the second roadway in the second roadway first direction. A sixth turn roadway connects the first roadway with the second roadway and allows a vehicle traveling on the first roadway in the first roadway second direction to continuously travel onto the second roadway in the second roadway second direction. A seventh turn roadway connects the second roadway with the first roadway and allows a vehicle traveling on the second roadway in the second roadway second direction to continuously travel onto the first roadway in the first roadway second direction. An eighth turn roadway connects the second roadway with the first roadway and allows a vehicle traveling on the second roadway in the second roadway first direction to continuously travel onto the first roadway in the first roadway second direction. At least one of the second and third turn roadways traverses at least a portion of one of the first and second roadways.

Other objects and advantages will be apparent to those skilled in the art from the following detailed description taken in conjunction with the appended claims and drawings.

BRIEF DESCRIPTION OF THE DRAWINGS

FIG. 1 is a top plan view schematic of a crossing roadway system in accordance with one preferred embodiment of the invention.

FIG. 2 is a side elevation view of the crossing roadway system shown in FIG. 1.

FIGS. 3-8 are perspective views of the crossing roadway system shown in FIGS. 1 and 2 and showing a vehicle traveling through the system at different selected points in the travel through the system.

FIG. 9 is a top plan view schematic of a crossing roadway system in accordance with another embodiment.

FIG. 10 is a top plan view schematic of a crossing roadway system in accordance with yet another embodiment.

FIG. 11 is a top plan view schematic of a crossing roadway system in accordance with still another embodiment.

FIG. 12 is front view of a pylon support of the crossing roadway system shown in FIG. 11 with the pylon support shown in isolation.

DETAILED DESCRIPTION OF THE INVENTION

The present invention may be embodied in a variety of different roadway systems. As representative, turning to FIGS. 1 and 2, there is illustrated a crossing roadway system, generally designated by the reference numeral 100 in accordance with one preferred embodiment of the invention. The roadway system 100 includes a first roadway 102 such as for multiple lane vehicular travel in both a first roadway first direction (signified by the arrow 104) and in a first roadway second direction (signified by the arrow 106) opposite the first roadway first direction. The crossing roadway system 100 also includes a second roadway 112 such as for multiple lane vehicular travel in both a second roadway first direction (signified by the arrow 114) and in a second roadway second direction (signified by the arrow 116) opposite the second roadway first direction.

The first and second roadways 102 and 112 are in a crossing alignment with the first roadway 102 being disposed at a distinct elevation relative to the second roadway 112 in an area 118 adjacent to the crossing 120. For example, as shown, the second roadway 112 forms an overpass 122 over the first roadway 102.

The crossing roadway system 100 includes a first turn roadway 124 connecting the first roadway 102 with the second roadway 112 and allowing a vehicle traveling on the first roadway 102 in the first roadway first direction 104 to continuously travel onto the second roadway 112 in the second roadway first direction 114.

The crossing roadway system 100 also includes a second turn roadway 128 connecting the first roadway 102 with the second roadway 112 and allowing a vehicle traveling on the first roadway 102 in the first roadway first direction 104 to continuously travel onto the second roadway 112 in the second roadway second direction 116. As shown, the second turn roadway 128 connecting the first roadway 102 with the second roadway 112 crosses over or traverses at least a portion of the second roadway 112.

The crossing roadway system 100 further includes a third turn roadway 132 connecting the second roadway 112 with the first roadway 102 and allowing a vehicle traveling on the second roadway 112 in the second roadway first direction 114 to continuously travel onto the first roadway 102 in the first roadway first direction 104. As shown, the third turn roadway

132 connecting the second roadway 112 with the first roadway 102 crosses over or traverses at least a portion of the second roadway 112.

The crossing roadway system 100 still further includes a fourth turn roadway 136 connecting the second roadway 112 with the first roadway 102 and allowing a vehicle traveling on the second roadway 112 in the second roadway second direction 116 to continuously travel onto the first roadway 102 in the first roadway first direction 104.

The crossing roadway system 100 yet still further includes a fifth turn roadway 140 connecting the first roadway 102 with the second roadway 112 and allowing a vehicle traveling on the first roadway 102 in the first roadway second direction 106 to continuously travel onto the second roadway 112 in the second roadway first direction 114. As shown, the fifth turn roadway 140 connecting the first roadway 102 with the second roadway 112 crosses over or traverses at least a portion of the second roadway 112.

The crossing roadway system 100 also further includes a sixth turn roadway 144 connecting the first roadway 102 with the second roadway 112 and allowing a vehicle traveling on the first roadway 102 in the first roadway second direction 106 to continuously travel onto the second roadway 112 in the second roadway second direction 116.

The crossing roadway system 100 additionally includes a seventh turn roadway 148 connecting the second roadway 112 with the first roadway 102 and allowing a vehicle traveling on the second roadway 112 in the second roadway second direction 116 to continuously travel onto the first roadway 102 in the first roadway second direction 106. As shown, the seventh turn roadway 148 connecting the second roadway 112 with the first roadway 102 crosses over or traverses at least a portion of the second roadway 112.

The crossing roadway system 100 further additionally includes an eighth turn roadway 152 connecting the second roadway 112 with the first roadway 102 and allowing a vehicle traveling on the second roadway 112 in the second roadway first direction 114 to continuously travel onto the first roadway 102 in the first roadway second direction 106.

As shown, the second turn roadway 128 and the third turn roadway 132 can desirably each at least in part form a first multi-turn ramp, generally designated by the reference numeral 156. The first multi-turn ramp 156 traverses the second roadway 112.

Similarly, the fifth turn roadway 140 and the seventh turn roadway 148 can desirably each at least in part form a second multi-turn ramp, generally designated by the reference numeral 160. The second multi-turn ramp 160 also traverses the second roadway 112.

A first pylon support 162 supports the first multi-turn ramp 156 transverse the second roadway 112. The first pylon support 162 includes a pair of respective support members 164 and 166 and associated support cables or wires 168. The pylon support members 164 and 166 are generally parallel vertical members each disposed on an opposite side of the second roadway 112. As perhaps best seen by reference to one or more of FIGS. 3-8, such generally parallel vertical members can be further secured via the inclusion of one or more cross members 169 such as in the form of a generally horizontal member element as may join the generally vertical pylon support members 164 and 166.

Similarly, a second pylon support 172 supports the second multi-turn ramp 160 transverse the second roadway 112. The second pylon support 172 includes a pair of respective support members 174 and 176 and associated support cables or wires 178. The pylon support members 174 and 176 are generally parallel vertical members each disposed on an

opposite side of the second roadway **112**. As perhaps best seen by reference to one or more of FIGS. **3-8**, such generally parallel vertical members can be further secured via the inclusion of one or more cross members **179** such as in the form of a generally horizontal member element as may join the generally vertical pylon support members **174** and **176**.

As will be appreciated by those skilled in the art and guided by the teachings herein provided, such a system of support employing generally parallel vertical support members can significantly reduce or minimize right-of-way width requirements for implementation of the crossing roadway system herein described.

Such a crossing roadway system allows vehicles moving from any one direction to continue to flow and to turn right, to go straight, or to turn left through the roadway crossing, as may be desired. In particular, right turning vehicles can use designated right turn lanes in each approach. For a through movement vehicle, say along the first roadway **102**, the vehicle can use the at-grade lanes under the overpass to flow through the roadway crossing. For a through movement vehicle passing along the second roadway **112**, the vehicle can use the overpass to clear through the roadway crossing. For a left turning vehicle moving on either of the roadways and moving in either direction, the vehicle can use the appropriate elevated multi-turn ramp located between the through movement lanes and the right turn lanes to complete the left-turning movements and then merge with the through movement traffic after the turn in the respective direction.

To enhance an understanding and appreciation of advantages and benefits attendant the implementation of the subject crossing roadway system, reference is now made to FIGS. **3-8** which illustrate a vehicle (generally designated by the reference character "V") traveling through the system **100** at different selected points in the travel through the system.

FIG. **3** shows the vehicle V on the roadway **112** traveling in the direction **116** and wanting to turn onto roadway **102** to travel in the direction **106**, as the vehicle V approaches the overpass **122**.

FIG. **4** shows the vehicle V still on the roadway **112** and traveling in the direction **116** but now on the overpass **122**.

FIG. **5** shows the vehicle V continuing travel on the seventh turn roadway **148** and entering into the U-shaped portion of the multi-turn ramp **160**.

FIG. **6** shows the vehicle V continuing travel on the seventh turn roadway **148** here in the form of a ramp.

FIG. **7** shows the vehicle V continuing travel on the seventh turn roadway **148** approaching the roadway **102** for travel in the direction **106**.

FIG. **8** shows the vehicle V having completed the left turn onto roadway **102** and traveling in the direction **106**.

While the invention has been described above making specific reference to an embodiment wherein each of the respective crossing roadways permit travel in each of two opposed directions, those skilled in the art and guided by the teaching herein provided will appreciate that the broader practice of the invention is not necessarily so limited. For example, the invention can, if desired, be similarly applied to a roadway crossing wherein at least one of the crossing roadways is for vehicular travel in only one direction, i.e., a one-way road.

FIG. **9** illustrates one such crossing roadway system, generally designated by the reference numeral **200**.

The roadway system **200** includes a first roadway **202** such as for multiple lane vehicular travel in only a single first roadway direction (signified by the arrow **204**). The crossing roadway system **200** also includes a second roadway **212** such as for multiple lane vehicular travel in both a second roadway first direction (signified by the arrow **214**) and in a second

roadway second direction (signified by the arrow **216**) opposite the second roadway first direction.

The first and second roadways **202** and **212** are in a crossing alignment with the first roadway **202** being disposed at a distinct elevation relative to the second roadway **212** in an area **218** adjacent to the crossing **220**. For example, as shown, the second roadway **212** forms an overpass **222** over the first roadway **202**.

The crossing roadway system **200** includes a first turn roadway **224** connecting the first roadway **202** with the second roadway **212** and allowing a vehicle traveling on the first roadway **202** in the first roadway direction **204** to continuously travel onto the second roadway **212** in the second roadway first direction **214**.

The crossing roadway system **200** also includes a second turn roadway **228** connecting the first roadway **202** with the second roadway **212** and allowing a vehicle traveling on the first roadway **202** in the first roadway direction **204** to continuously travel onto the second roadway **212** in the second roadway second direction **216**. As shown, the second turn roadway **228** connecting the first roadway **202** with the second roadway **212** crosses over or traverses at least a portion of the second roadway **212**.

The crossing roadway system **200** further includes a third turn roadway **232** connecting the second roadway **212** with the first roadway **202** and allowing a vehicle traveling on the second roadway **212** in the second roadway first direction **214** to continuously travel onto the first roadway **202** in the first roadway direction **204**. As shown, the third turn roadway **232** connecting the second roadway **212** with the first roadway **202** crosses over or traverses at least a portion of the second roadway **212**.

The crossing roadway system **200** still further includes a fourth turn roadway **236** connecting the second roadway **212** with the first roadway **202** and allowing a vehicle traveling on the second roadway **212** in the second roadway second direction **216** to continuously travel onto the first roadway **202** in the first roadway direction **204**.

As shown, the second turn roadway **228** and the third turn roadway **232** can desirably each at least in part form a first multi-turn ramp, generally designated by the reference numeral **256**. The first multi-turn ramp **256** traverses the second roadway **212**.

A pylon support **262** supports the first multi-turn ramp **256** transverse the second roadway **212**. The pylon support **262** may, if desired, be similar to the pylon support **162** described above in connection with the crossing roadway system **100** and such as including a pair of generally parallel vertical support members, each disposed on an opposite side of the second roadway **212**, and with associated support cables or wires.

Moreover, while the invention has been described above making specific reference to roadways involving vehicular travel in a manner customary in the United States wherein forward movement of a vehicle occurs on the right hand side of the roadway, those skilled in the art and guided by the teaching herein provided will appreciate that the broader practice of the invention is not necessarily so limited. For example, if desired, the invention can be adapted for vehicular travel in a manner customary in the United Kingdom wherein forward movement of a vehicle occurs on the left hand side of the roadway.

FIG. **10** illustrates a crossing roadway system, generally designated by the reference numeral **300**, generally similar to the crossing roadway system **200** shown in FIG. **9** and described above, but here employing a system of vehicular

travel in a manner customary in the United Kingdom wherein forward movement of a vehicle occurs on the left hand side of the roadway.

The roadway system **300** includes a first roadway **302** such as for multiple lane vehicular travel in only a single first roadway direction (signified by the arrow **304**). The crossing roadway system **300** also includes a second roadway **312** such as for multiple lane vehicular travel in both a second roadway first direction (signified by the arrow **314**) and in a second roadway second direction (signified by the arrow **316**) opposite the second roadway first direction.

The first and second roadways **302** and **312** are in a crossing alignment with the first roadway **302** being disposed at a distinct elevation relative to the second roadway **312** in an area **318** adjacent to the crossing **320**. For example, as shown, the second roadway **312** forms an overpass **322** over the first roadway **302**.

The crossing roadway system **300** includes a first turn roadway **324** connecting the first roadway **302** with the second roadway **312** and allowing a vehicle traveling on the first roadway **302** in the first roadway direction **304** to continuously travel onto the second roadway **312** in the second roadway first direction **314**.

The crossing roadway system **300** also includes a second turn roadway **328** connecting the first roadway **302** with the second roadway **312** and allowing a vehicle traveling on the first roadway **302** in the first roadway direction **304** to continuously travel onto the second roadway **312** in the second roadway second direction **316**. As shown, the second turn roadway **328** connecting the first roadway **302** with the second roadway **312** crosses over or traverses at least a portion of the second roadway **312**.

The crossing roadway system **300** further includes a third turn roadway **332** connecting the second roadway **312** with the first roadway **302** and allowing a vehicle traveling on the second roadway **312** in the second roadway first direction **314** to continuously travel onto the first roadway **302** in the first roadway direction **304**. As shown, the third turn roadway **332** connecting the second roadway **312** with the first roadway **302** crosses over or traverses at least a portion of the second roadway **312**.

The crossing roadway system **300** still further includes a fourth turn roadway **336** connecting the second roadway **312** with the first roadway **302** and allowing a vehicle traveling on the second roadway **312** in the second roadway second direction **316** to continuously travel onto the first roadway **302** in the first roadway direction **304**.

As shown, the second turn roadway **328** and the third turn roadway **332** can desirably each at least in part form a multi-turn ramp, generally designated by the reference numeral **356**. The multi-turn ramp **356** traverses the second roadway **312**.

A pylon support **362** supports the multi-turn ramp **356** transverse the second roadway **312**. The pylon support **362** may, if desired, be similar to the pylon support **362** described above in connection with the crossing roadway system **300** and such as including a pair of generally parallel vertical support members, each disposed on an opposite side of the second roadway **312**, and with associated support cables or wires.

While the invention has been described above making specific reference to a pylon system of roadway support such as involving a pair of generally parallel vertical support members, each disposed on an opposite side of the selected roadway, and with associated support cables or wires, those skilled in the art and guided by the teachings herein provided will appreciate that the broader practice of the invention is not

necessarily so limited. For example, if desired, the invention can be practiced employing various other suitable means of roadway support such as known in the art. Furthermore, a roadway system of support employing a pylon-based support system can, if desired, suitably utilize support members having a shape or form other than vertical member.

For example, FIG. **11** illustrates a crossing roadway system, generally designated by the reference numeral **400**, generally similar to the crossing roadway system **100** described above and such as including a first roadway **402** such as for multiple lane vehicular travel in both a first roadway first direction (signified by the arrow **404**) and in a first roadway second direction (signified by the arrow **406**) opposite the first roadway first direction. The crossing roadway system **400** also includes a second roadway **412** such as for multiple lane vehicular travel in both a second roadway first direction (signified by the arrow **414**) and in a second roadway second direction (signified by the arrow **416**) opposite the second roadway first direction.

The first and second roadways **402** and **412** are in a crossing alignment with the first roadway **402** being disposed at a distinct elevation relative to the second roadway **412** in an area **418** adjacent to the crossing **420** and such that second roadway **412** forms an overpass **422** over the first roadway **402**.

The crossing roadway system **400** also includes first, second, third, fourth, fifth, sixth, seventh and eighth turn roadways **424, 428, 432, 436, 440, 444, 448** and **452** generally similar to the corresponding turn roadways **124, 128, 132, 136, 140, 144, 148** and **152** described above and such as form first and second multi-turn ramps **456** and **460**, similar to multi-turn ramps **156** and **160**, described above. Moreover, a first pylon support **462** supports the first multi-turn ramp **456** transverse the second roadway **412** and a second pylon support **472** supports the second multi-turn ramp **460** transverse the second roadway **412**.

The crossing roadway system **400** primarily differs from the crossing roadway system **100** described above in the structure or design of the support members forming the respective pylon support. Pylon support **462**, as shown in FIG. **12**, includes first and second horizontally spaced apart stepped support members **464** and **466** such as to be disposed on opposite sides of a respective roadway. The stepped support members **464** and **466** permit the formation of a pylon support **462** including a base portion **484** whereat the support members **464** and **466** are vertically arranged in parallel with a relative wide spacing therebetween, a top portion **490** whereat the support members **464** and **466** are vertically arranged in parallel with a relative narrow spacing therebetween and a central portion **494** whereat the support members **464** and **466** transition between the base portion **484** and the top portion **490**.

The subject crossing roadway systems provide for vehicular movement between first and second crossing roadways, particularly in a continuous fashion and such as desirably results in one or more of improved or increased speed, efficiency and safety of vehicle movement. The invention desirably and advantageously minimizes and, preferably, eliminates the need for the presence or installation of traffic control devices, such as "YIELD" and/or "STOP" signs and signals, for example, at a subject roadway crossing. Moreover, such crossing roadway systems can desirably be implemented in a relatively compact area such as to reduce or minimize required land areas.

The subject crossing roadway systems can desirably be utilized for expressways, arterial highways and other high volume, low access roadways in urban and suburban areas to

mitigate intersection-related traffic congestion and significantly reduce intersection-related crashes in the United States. In addition, the systems can be utilized in other countries such as experience significant intersection related traffic congestion, crashes, and vehicle air emissions.

The invention illustratively disclosed herein suitably may be practiced in the absence of any element, part, step, component, or ingredient which is not specifically disclosed herein.

While in the foregoing detailed description this invention has been described in relation to certain preferred embodiments thereof, and many details have been set forth for purposes of illustration, it will be apparent to those skilled in the art that the invention is susceptible to additional embodiments and that certain of the details described herein can be varied considerably without departing from the basic principles of the invention.

What is claimed is:

1. A system for improved vehicular movement between first and second crossing roadways, the system comprising:
 - a first roadway for vehicular travel in at least a first roadway first direction;
 - a second roadway for vehicular travel in a second roadway first direction and in a second roadway second direction opposite the second roadway first direction, the first and second roadways in crossing alignment with the first roadway being disposed at a distinct elevation relative to the second roadway in an area adjacent to the crossing;
 - a first turn roadway connecting the first roadway with the second roadway and allowing a vehicle traveling on the first roadway in the first roadway first direction to continuously travel onto the second roadway in the second roadway first direction;
 - a second turn roadway connecting the first roadway with the second roadway and allowing a vehicle traveling on the first roadway in the first roadway first direction to continuously travel onto the second roadway in the second roadway second direction;
 - a third turn roadway connecting the second roadway with the first roadway and allowing a vehicle traveling on the second roadway in the second roadway first direction to continuously travel onto the first roadway in the first roadway first direction; and
 - a fourth turn roadway connecting the second roadway with the first roadway and allowing a vehicle traveling on the second roadway in the second roadway second direction to continuously travel onto the first roadway in the first roadway first direction,
 wherein the second turn roadway and the third turn roadway each at least in part form a first multi-turn ramp, the first multi-turn ramp traverses the second roadway and the system additionally comprises a first pylon support and associated support cables or wires to support the first multi-turn ramp transverse the second roadway.
2. The system of claim 1 wherein the second roadway comprises at least one roadway travel lane in the second roadway first direction and at least one roadway travel lane in the second roadway second direction, wherein the second turn roadway traverses the at least one roadway travel lane in the second roadway first direction of the second roadway.
3. The system of claim 1 wherein the second roadway comprises multiple travel lanes in each of the second roadway first and second directions.
4. The system of claim 1 wherein the first roadway is also for vehicular travel in a first roadway second direction opposite the first roadway first direction, the system additionally comprising:

- a fifth turn roadway connecting the first roadway with the second roadway and allowing a vehicle traveling on the first roadway in the first roadway second direction to continuously travel onto the second roadway in the second roadway first direction;
 - a sixth turn roadway connecting the first roadway with the second roadway and allowing a vehicle traveling on the first roadway in the first roadway second direction to continuously travel onto the second roadway in the second roadway second direction;
 - a seventh turn roadway connecting the second roadway with the first roadway and allowing a vehicle traveling on the second roadway in the second roadway second direction to continuously travel onto the first roadway in the first roadway second direction; and
 - an eighth turn roadway connecting the second roadway with the first roadway and allowing a vehicle traveling on the second roadway in the second roadway first direction to continuously travel onto the first roadway in the first roadway second direction.
5. The system of claim 4 wherein at least one of the fifth and seventh turn roadways at least in part forms a ramp that traverses the second roadway.
 6. The system of claim 5 wherein the fifth and seventh turn roadways each at least in part forms a ramp that traverses the second roadway.
 7. The system of claim 5 wherein at least one of the second and third turn roadways at least in part forms a ramp that traverses the second roadway.
 8. The system of claim 7 wherein the second and third turn roadways each at least in part forms a ramp that traverses the second roadway.
 9. The system of claim 4 wherein,
 - the fifth turn roadway and the seventh turn roadway each at least in part form a second multi-turn ramp, the second multi-turn ramp traverses the second roadway.
 10. The system of claim 9 additionally comprising a second pylon support and associated support cables or wires to support the second multi-turn ramp transverse the second roadway.
 11. The system of claim 10 wherein at least one of the first and second pylons supports comprises first and second horizontally spaced apart parallel support members each disposed on an opposite side of the second roadway.
 12. The system of claim 11 wherein the first pylon support comprises a first pair of first and second horizontally spaced apart parallel support members each disposed on an opposite side of the second roadway and the second pylon support comprises a second pair of first and second horizontally spaced apart parallel support members each disposed on an opposite side of the second roadway.
 13. The system of claim 10 wherein at least one of the first and second pylons supports comprises first and second horizontally spaced apart stepped support members each disposed on an opposite side of the second roadway.
 14. A system for improved vehicular movement between first and second crossing roadways, the system comprising:
 - a first roadway for multiple lane vehicular travel in both a first roadway first direction and in a first roadway second direction opposite the first roadway first direction;
 - a second roadway for multiple lane vehicular travel in both a second roadway first direction and in a second roadway second direction opposite the second roadway first direction, the first and second roadways in crossing alignment with the first roadway being disposed at a distinct elevation relative to the second roadway in an area adjacent to the crossing;

11

a first turn roadway connecting the first roadway with the second roadway and allowing a vehicle traveling on the first roadway in the first roadway first direction to continuously travel onto the second roadway in the second roadway first direction; 5

a second turn roadway connecting the first roadway with the second roadway and allowing a vehicle traveling on the first roadway in the first roadway first direction to continuously travel onto the second roadway in the second roadway second direction; 10

a third turn roadway connecting the second roadway with the first roadway and allowing a vehicle traveling on the second roadway in the second roadway first direction to continuously travel onto the first roadway in the first roadway first direction; 15

a fourth turn roadway connecting the second roadway with the first roadway and allowing a vehicle traveling on the second roadway in the second roadway second direction to continuously travel onto the first roadway in the first roadway first direction; 20

a fifth turn roadway connecting the first roadway with the second roadway and allowing a vehicle traveling on the first roadway in the first roadway second direction to continuously travel onto the second roadway in the second roadway first direction; 25

a sixth turn roadway connecting the first roadway with the second roadway and allowing a vehicle traveling on the first roadway in the first roadway second direction to continuously travel onto the second roadway in the second roadway second direction; 30

12

a seventh turn roadway connecting the second roadway with the first roadway and allowing a vehicle traveling on the second roadway in the second roadway second direction to continuously travel onto the first roadway in the first roadway second direction; and

an eighth turn roadway connecting the second roadway with the first roadway and allowing a vehicle traveling on the second roadway in the second roadway first direction to continuously travel onto the first roadway in the first roadway second direction, 10

wherein the second turn roadway and the third turn roadway each at least in part form a first multi-turn ramp, the first multi-turn ramp traverses the second roadway; and the fifth turn roadway and the seventh turn roadway each at least in part form a second multi-turn ram the second multi-turn ram traverses the second roadway.

15. The system of claim 14 additionally comprising,

a first pylon support and associated support cables or wires to support the first multi-turn ramp transverse the second roadway and a second pylon support and associated support cables or wires to support the second multi-turn ramp transverse the second roadway.

16. The system of claim 15 wherein the first pylon support comprises a first pair of first and second horizontally spaced apart parallel support members each disposed on an opposite side of the second roadway and the second pylon support comprises a second pair of first and second horizontally spaced apart parallel support members each disposed on an opposite side of the second roadway.

* * * * *