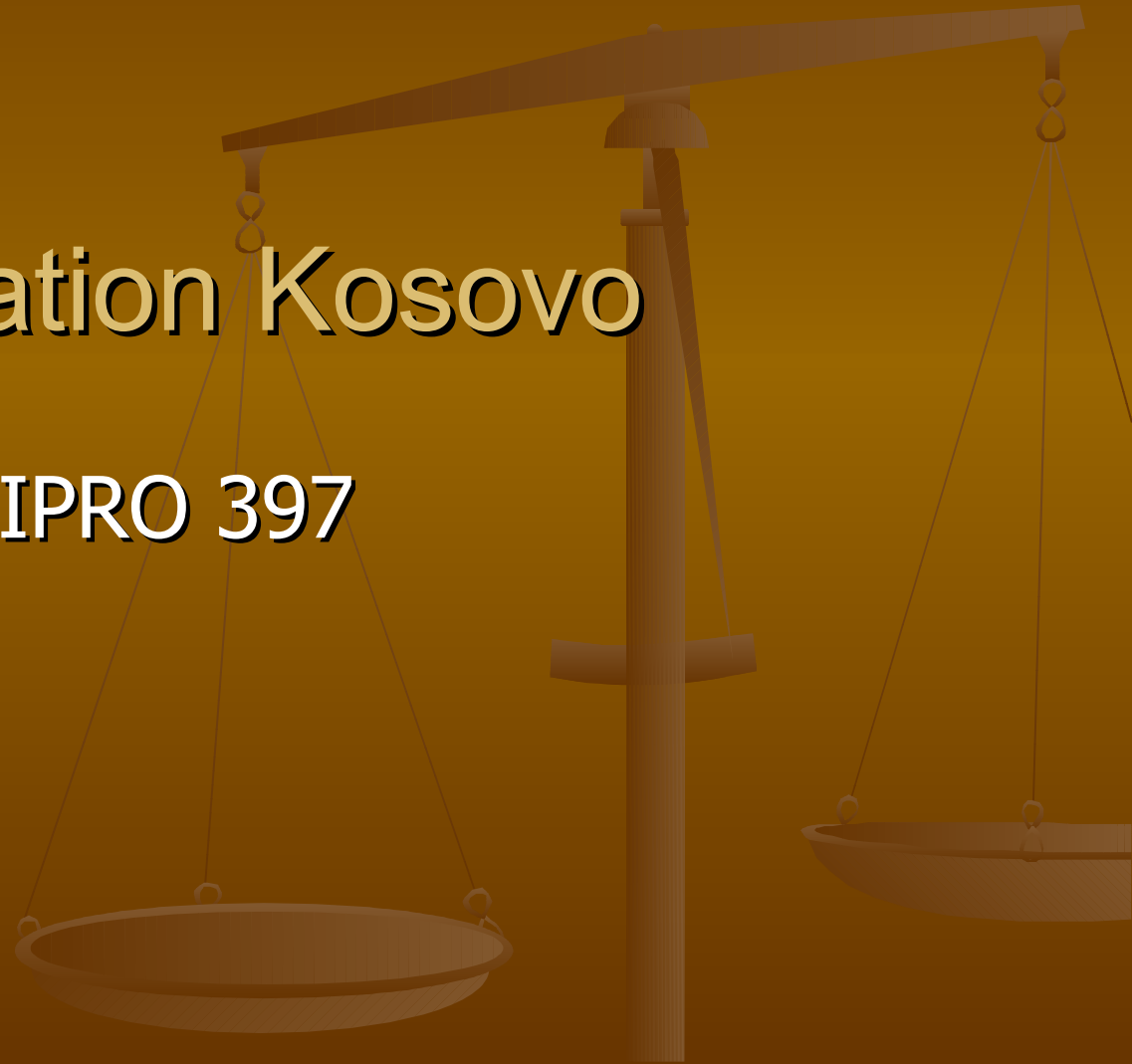


Operation Kosovo

I PRO 397

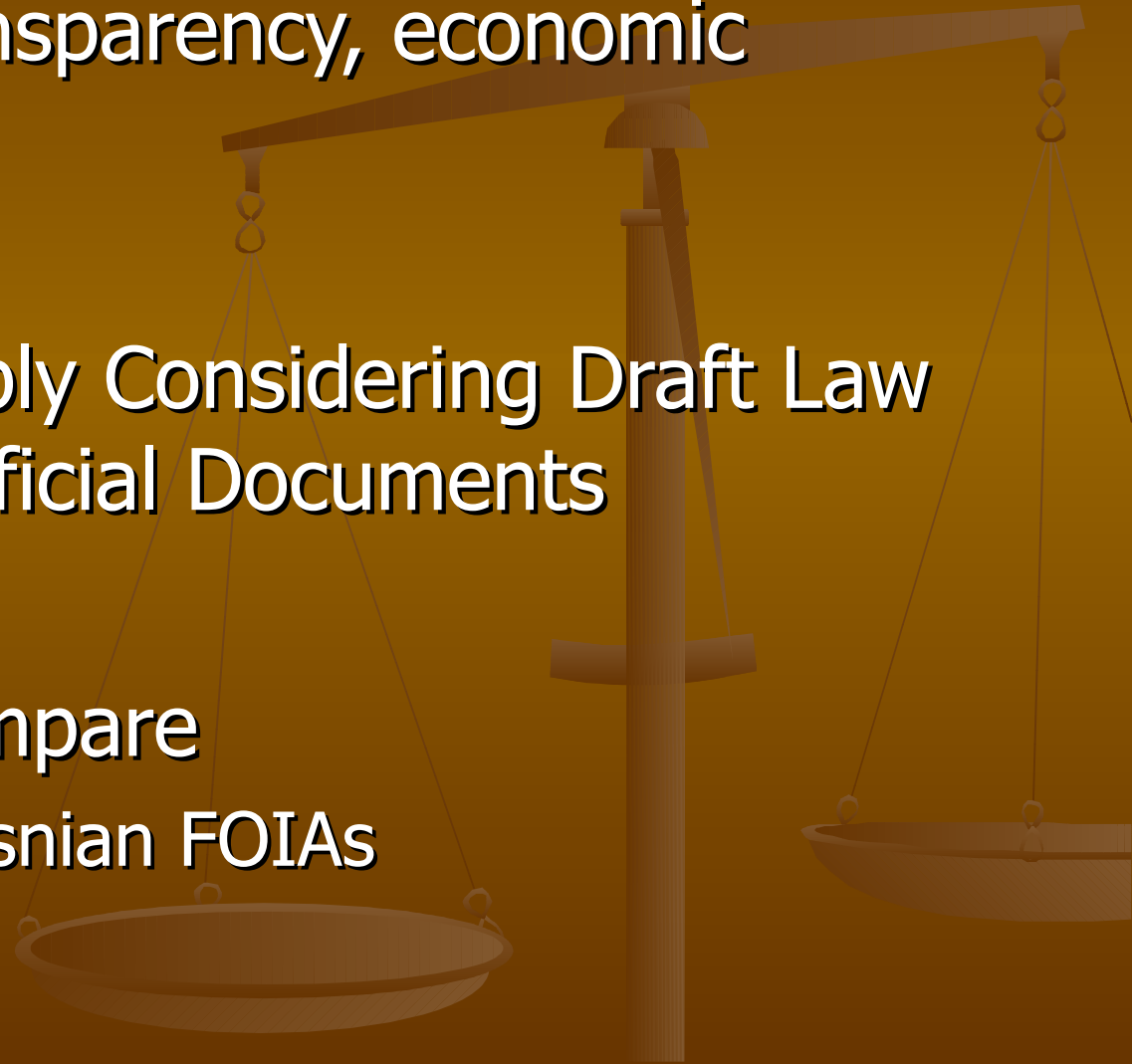


BACKGROUND



FOIA

- Democracy, transparency, economic development
- Kosovar Assembly Considering Draft Law on Access to Official Documents
- Review and Compare
 - Slovenian & Bosnian FOIAs



FOIA

Section 4 Exceptions

4.1
of

The institutions shall refuse access to a document where disclosure would undermine the protection of

(a) the public interest as regards:

- (i) public security,
- (ii) defense and military matters,
- (iii) ~~international relations,~~ **foreign policy;**
- (iv) ~~the financial, monetary or economic policy of the PISG;~~

(b) the privacy and the integrity of the individual, in particular in accordance with the applicable legislation regarding the protection of personal data.

4.2
of:

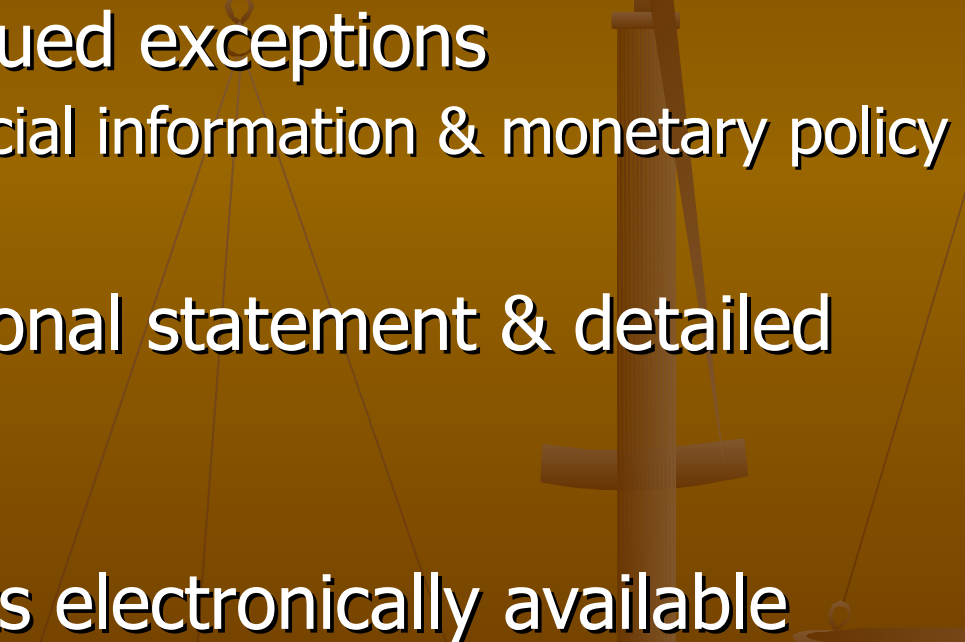
The institutions shall refuse access to a document where disclosure would undermine the protection of

- (a) commercial interests of a natural or legal person, including intellectual property,
- (b) ~~court proceedings and legal advice~~ **or der,**
- (c) ~~the purpose of inspections, investigations and audits~~ **the purpose of inspections or examination by an agency responsible for the regulation or supervision of financial institutions,**
- (d) **attorney-client privilege,**

unless there is an overriding public interest in disclosure.

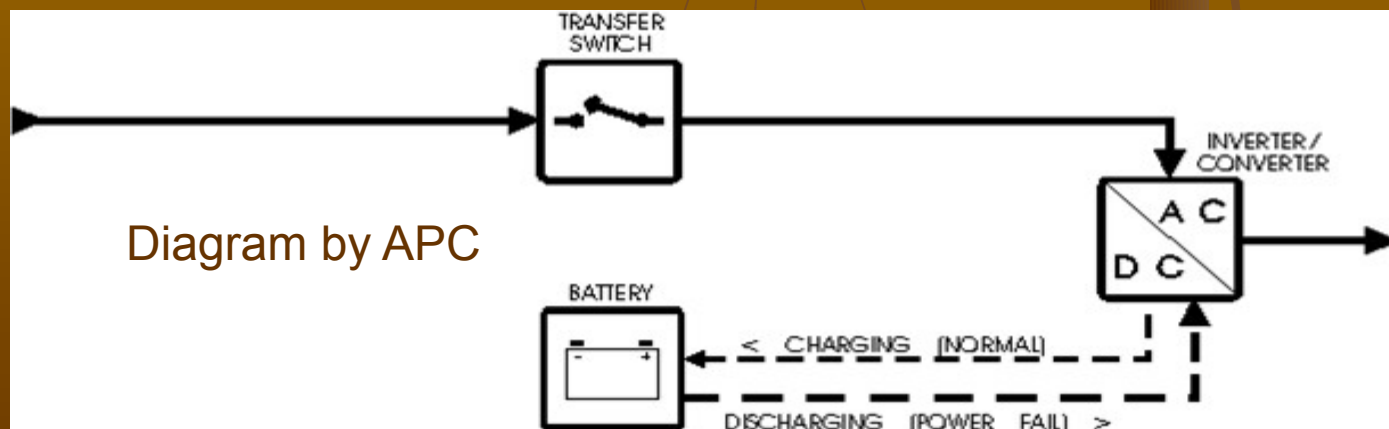
FOIA

■ Suggested Modifications

- Narrowly construed exceptions
 - Access to financial information & monetary policy
 - Revise jurisdictional statement & detailed remedies
 - Make documents electronically available
- 

Uninterruptible Power Supply

- Instant emergency back-up power for the student computer labs
- Cost effective
- Bi-directional power converter - both charger and inverter



Compendium

- UNMIK Law
- Kosovar Law
- Lack of Transparency
- Scanned Kosovar Law



Small Business Center

- Combination of Two Proposals
- Find Local Grantee
- Grantee Cooperation
- Status



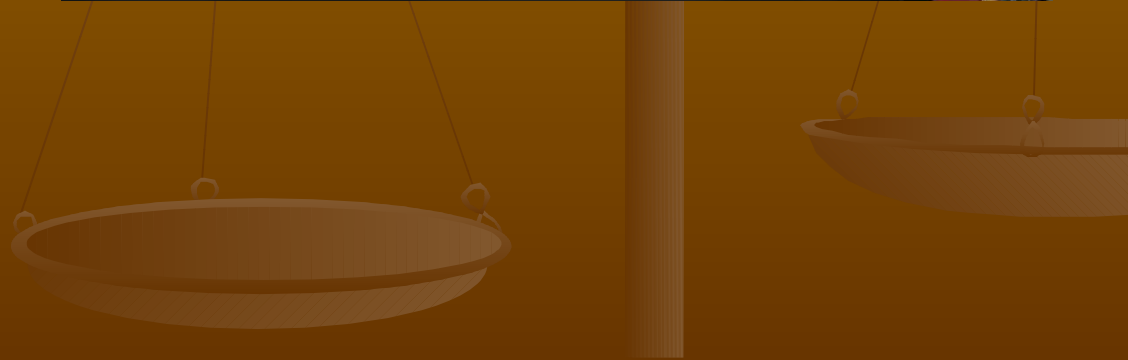
Privatization

- What is an SOE?
- Kosovo Trust Agency (KTA)
- Opaque Process
- SOE Tour
- Initial Success, Projected Limited Benefits



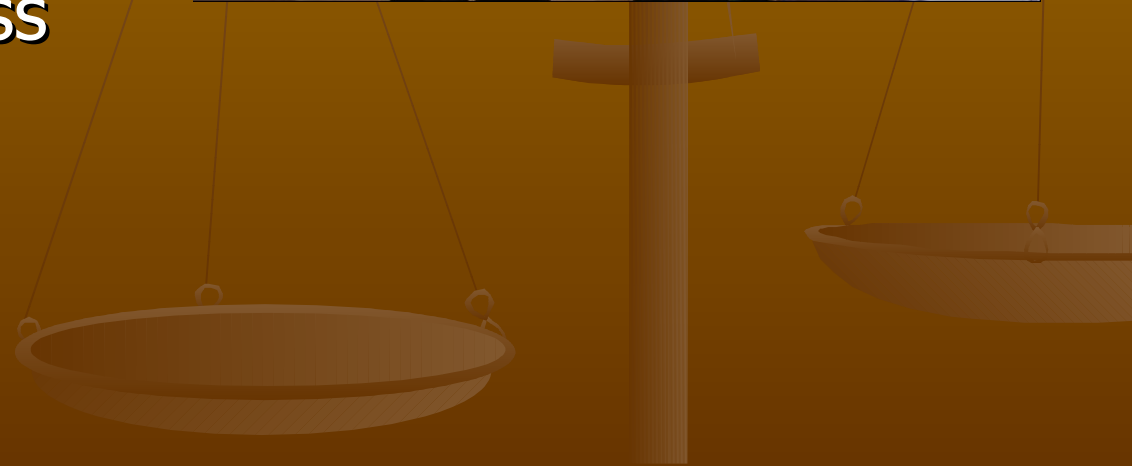
Investment Potential

- SME
- Economy Has Many Gaps
- Need Infrastructure Development



Business Registration

- Research
- NGO vs small law firm
- Kosovar founder necessary for registration
- Walked through registration process





ACKNOWLEDGEMENTS

- Professor Hank Perritt
- Patricia O'Neal
- Charles Runick
- Julian Mulla
- George Soros
- Scott Waguespack
- ABA
- CEELI
- Chicago-Kent College of Law
- Illinois Institute of Technology

