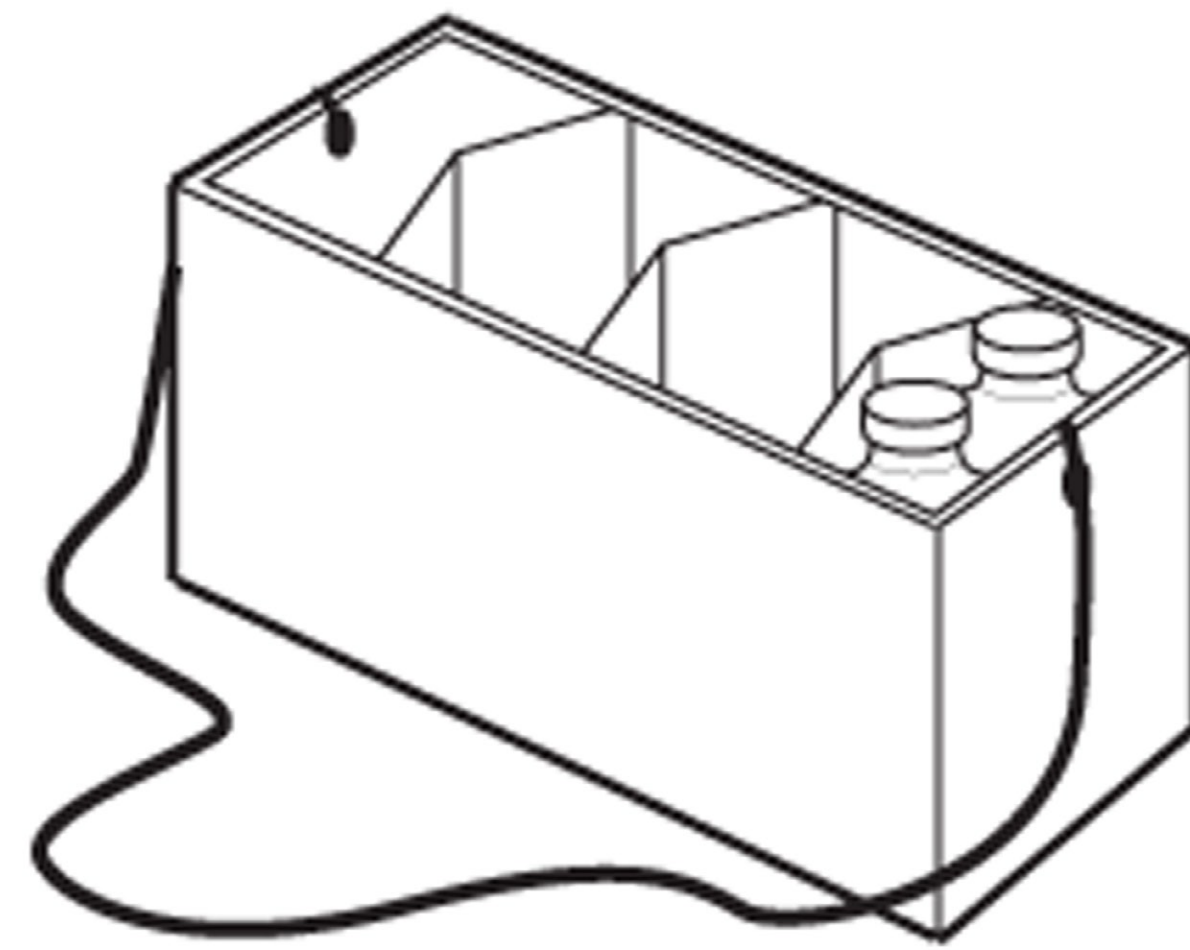
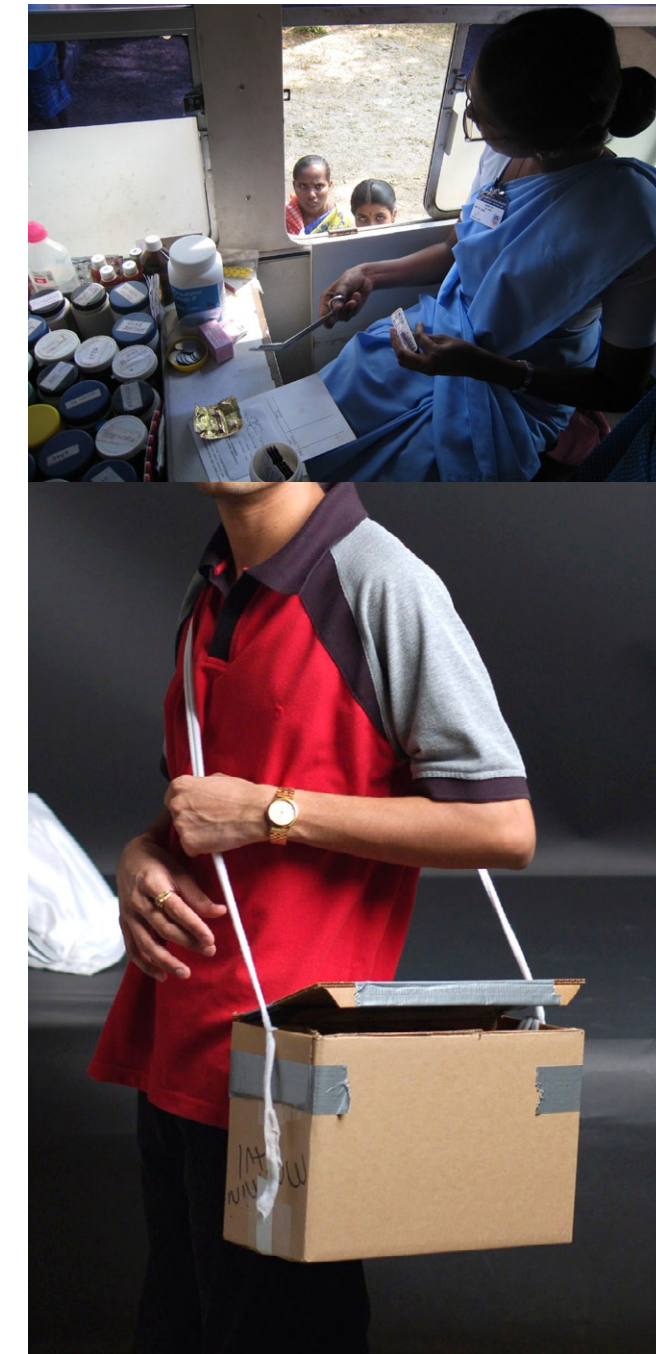


ANM Bag

Auxiliary Nursing Mid-wife are those nurse who move between a dozen of villages on a weekly basis assessing the patients in those villages and treating them at the very basic level of treatment.

ANM bag we designed could be a good resource for the ANM to carry along because:

- ANM can carry most commonly used medications along with her.
- Dispensing those medications will be easy / hassle free since bag does not need to be removed from the shoulder while dispensing medicines.
- Has a compartment to store used cotton swabs/bottle and other medical waste so that they can be appropriately disposed later on.



Solar Health Lantern

In order to help the shared community nurses of rural India plan their patient visits more efficiently, the Solar Health Lantern allows villagers to signal their need locally and remotely. As well as providing a much needed household light source where electricity is unreliable, the solar cell powers a simplified SMS signal that relays a message of need to the nurse.



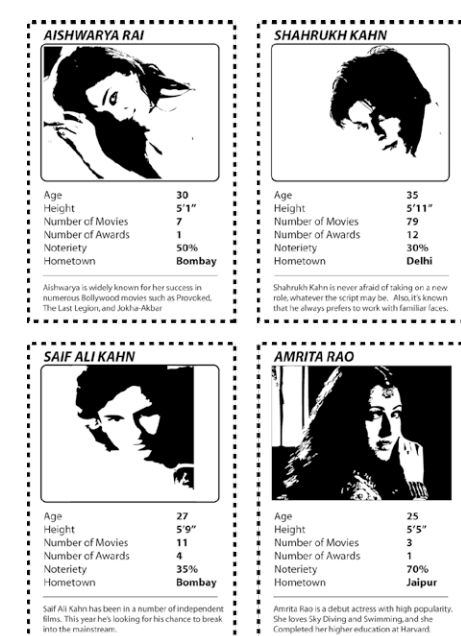
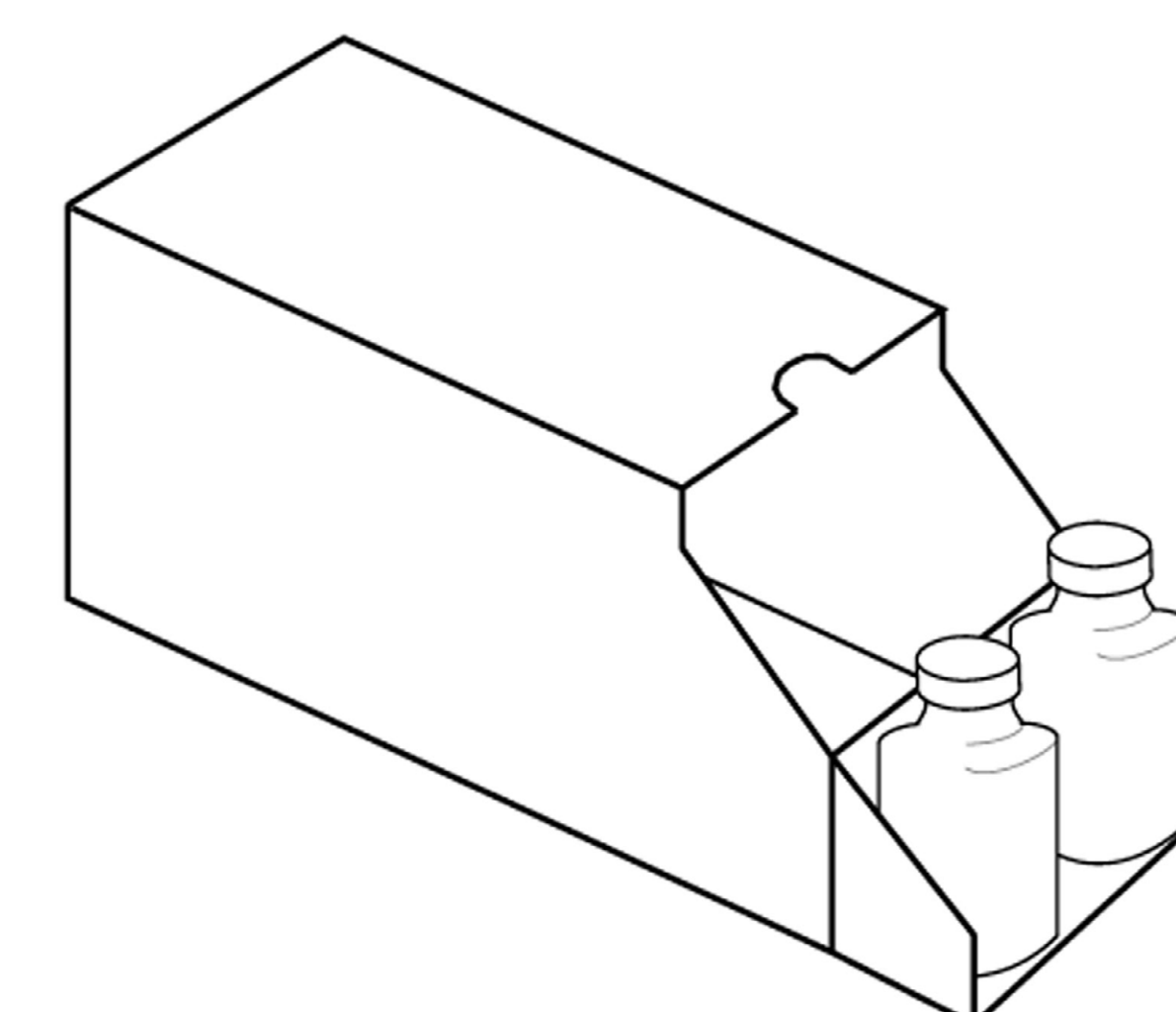
Vaccination Charm Bracelet

In rural India, due to the large amount of visually confusing literature used to communicate childhood vaccination schedules, many children miss the time window for the various vaccines that they need to prevent diseases such as tuberculosis and hepatitis. Using time sensitive ink technology, the bracelet creates a visual cue to the child's parents to remind them of the schedule and get them to the doctor on time.

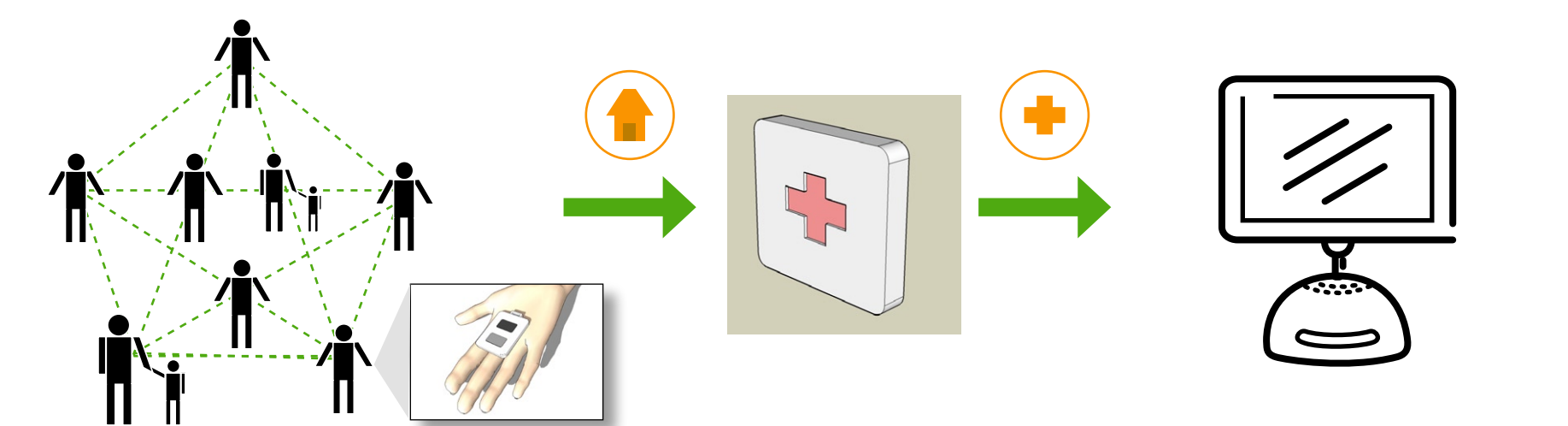
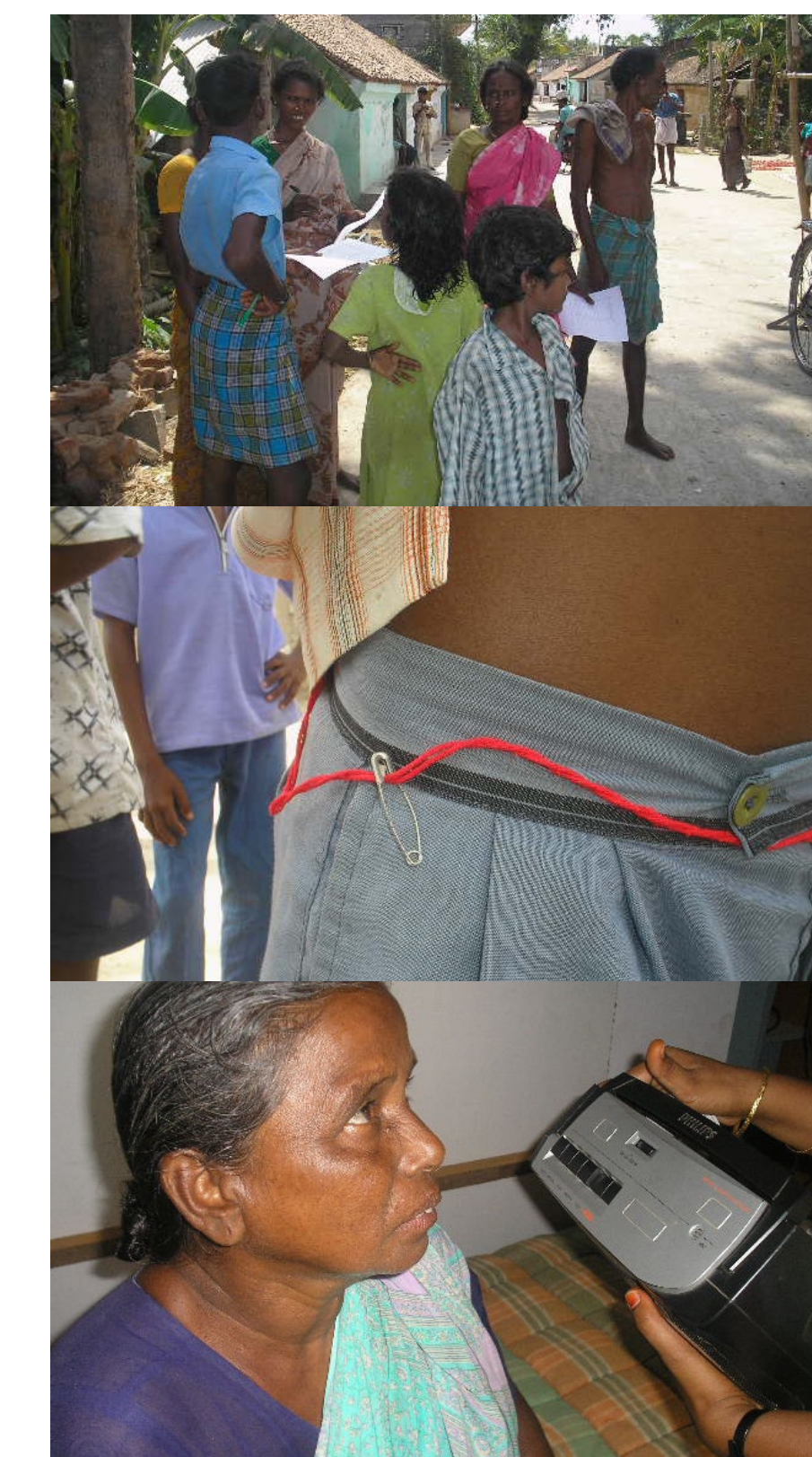


Shelf medicine organizer

The concept behind this was to develop a storage system which ships along with the medicine stored in it and has specific colour coding and other medical information included. Medicines can then be dispensed by pulling out individual bottles from it. Also this box opened up and provided a space at the opening flap where one or two bottles could rest at a time and also provided space where medicines could be poured into and then counted before dispensing.



Digital Word of Mouth



- Every villager wears a medical pendant
- When the villager needs medical attention or advice, s/he records her message into the pendant by pressing the record button
- Each voice message is tagged with a unique ID that identifies the person as well as the message
- As the sick villager passes by another villagers, the pendants swap all messages with each other
- If a villager is near a medical node to be located at a central gathering place, the pendant automatically deposits the messages it has into the node through a wireless signal
- The ANM receives all of the voice messages through a customized dashboard that allows the ANM to listen, sort, and store the info
- The dashboard will also filter out all duplicates

Health Stop

- Insights/problems
- Current methods of disseminating health and hygiene information are limited.
 - Many villages have no structure dedicated to healthcare.
 - Patients rarely have a means of transportation to the local clinic.

- Concept
- The "Health Stop" would serve as a meeting place for health related matters.
 - Health information and advisories could be posted at the health stop.
 - Patients seeking transportation to the local PHC, and those who can offer transportation could use the health stop as a meeting place.
 - ANM's could use the health stop as a base of operations within each village.

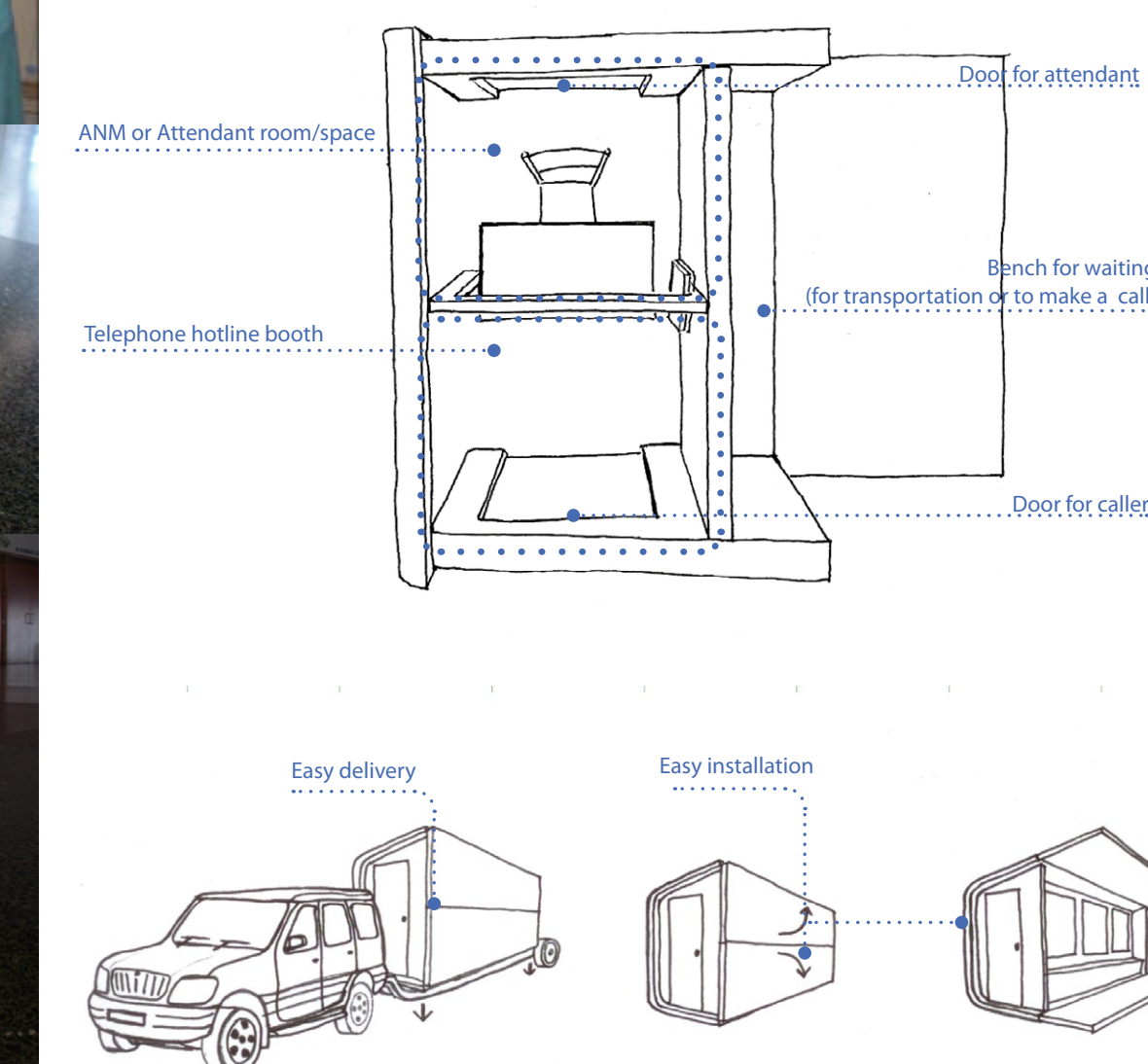
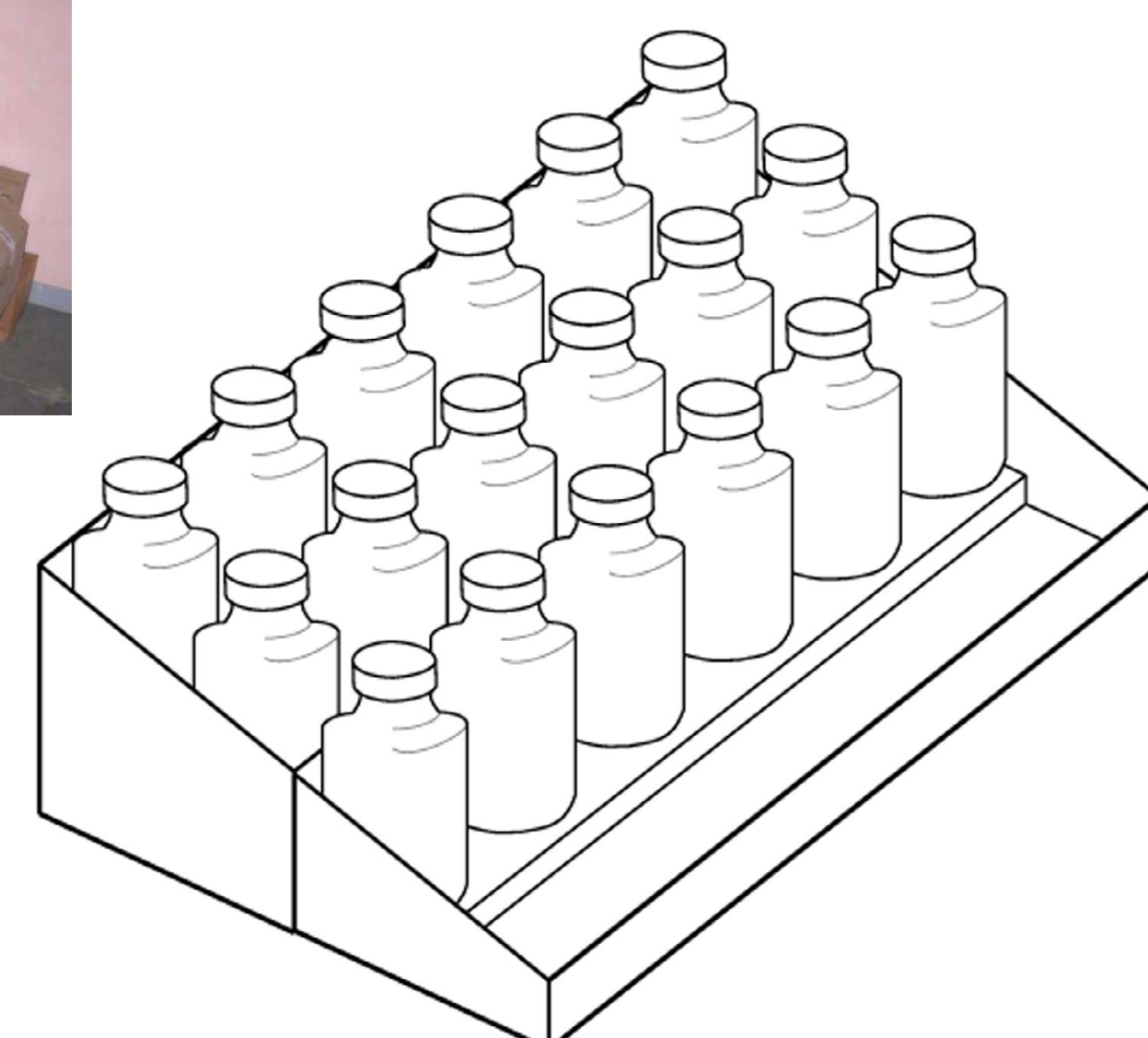


Table top medicine organizer

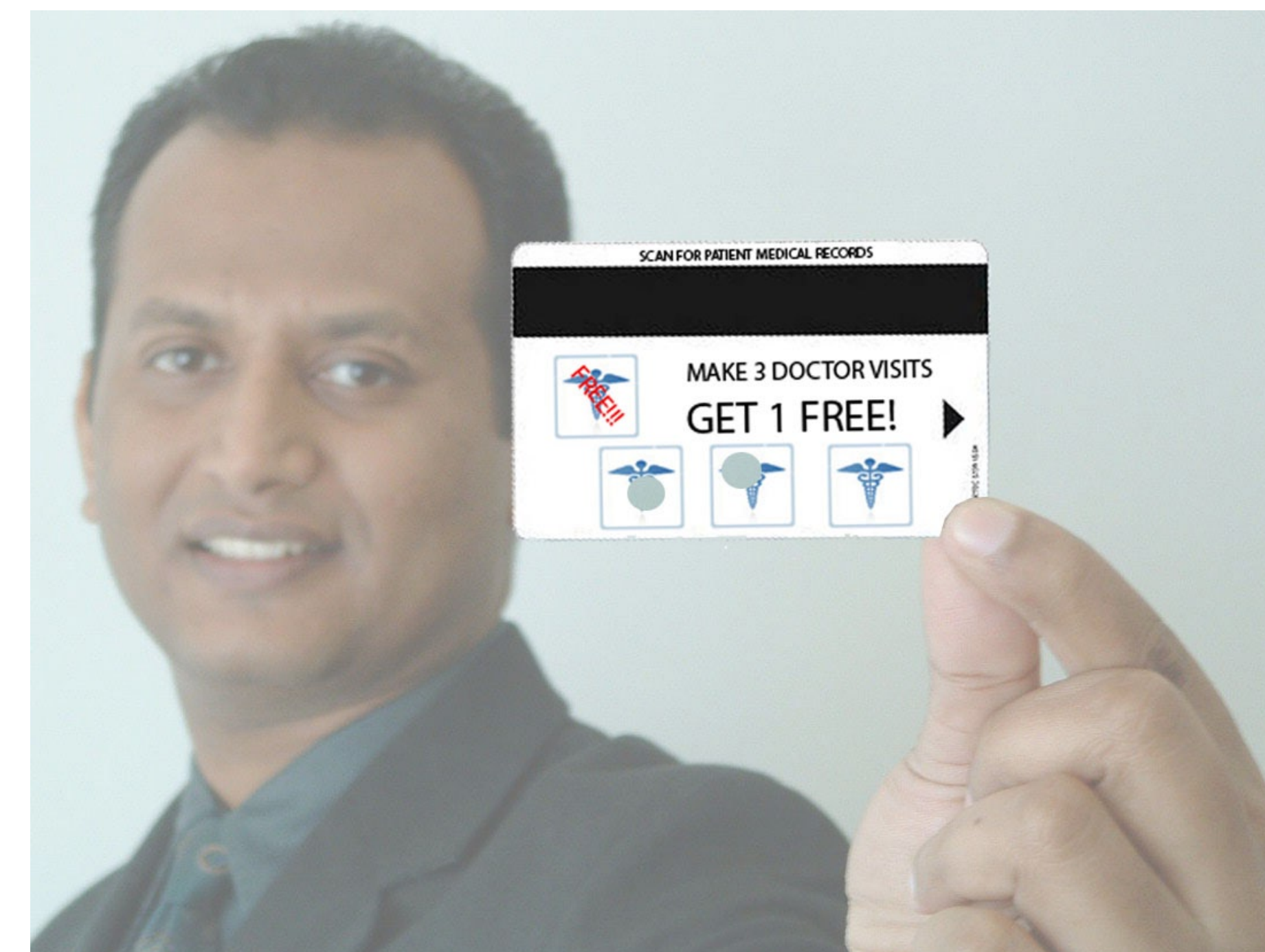
The above mentioned shelf medicine organizer prototype were sent to India where they experimented it on a daily operational basis. There was a very peculiar remark made that as the day progressed the doctor preferred to pullout medicine bottles from the shelf boxes and put it on table for easy dispensing which made the stuff messy by the end of the day. So we came up with the concept of table top medicine organizer which make the bottle storage more organized, easy to look up labels and very easy to dispense.



Return visit incentive

To encourage regular check-ups and preventative health care, we designed Return Visit Incentive.

Return visit incentive is a concept that establishes more continuous and preventative oriented health care. An incentive encourages return visits. Future functions could include record keeping to access Medical History.



Info Inline

To make the doctor's visit more efficient and have people lose less money and time to get there, we designed Info Inline. Info Inline gathers basic patient information while people are waiting to see the doctor. This decreases the doctor's workload and decreases the patient's time and money investment. By doing this the doctor's footprint will be increased.

